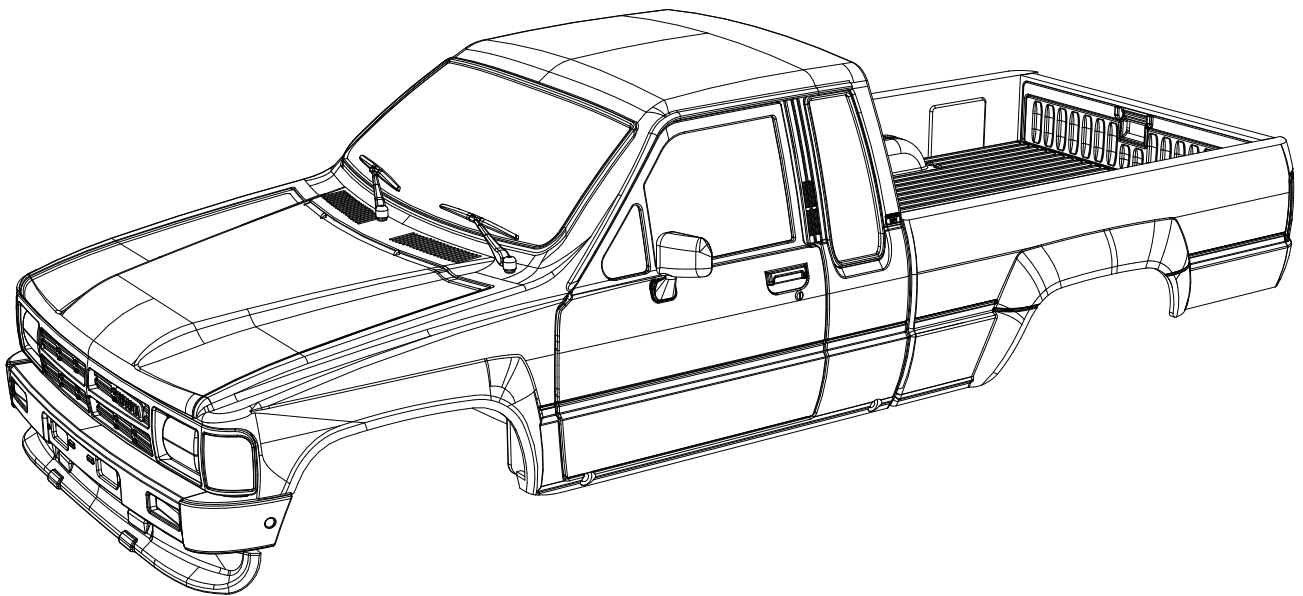
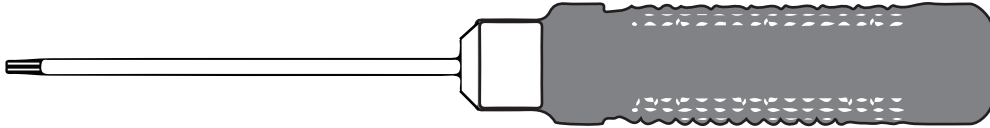


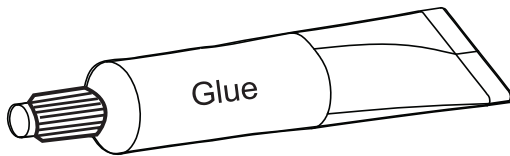
# RC4WD 1987 TOYOTA XTRACAB HARD BODY COMPLETE SET



## ***Recommended Tools***



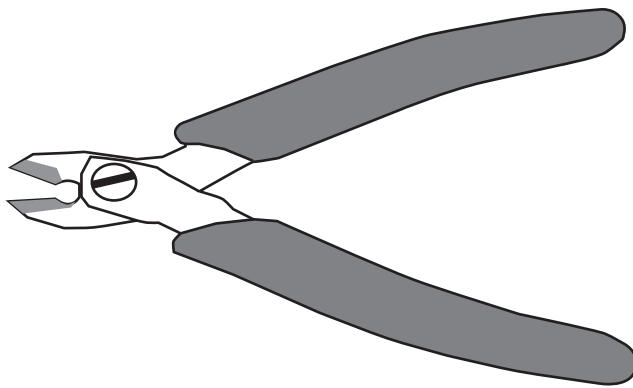
Hex Drivers (1.5mm, 2mm)



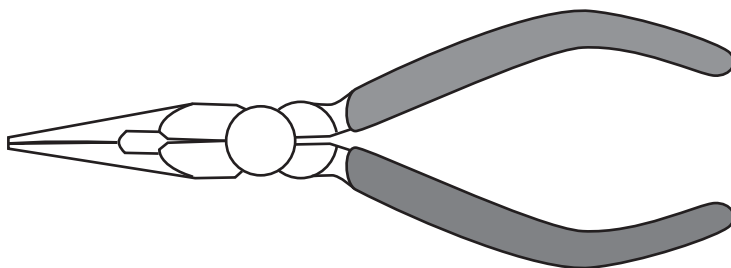
(Foam safe CA, Shoe Goo or E6000, Styrene Glue, Epoxy)



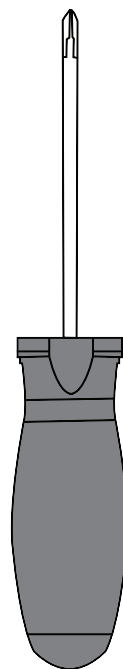
Hobby Knife



Side Cutters



Long Nose Pliers



Cross head screwdriver (Small)

## ***Instruction Manual Symbols Key***



Apply Thread Lock



Apply Grease



Glue



Trim with Hobby Knife



CA Glue



Remove



Cut with Scissors



Repeat or Build Multiple



Build Right and Left



Paint



Attention



Build Front and Rear

## ***Tips for Assembly***

- Use good quality hex drivers to avoid stripping screw heads.
- Open kit bags in order of assembly steps.
- Use “Step” index for quantity and size of hardware to be used for assembly.
- Do not overtighten screws.
- Use thread lock sparingly

Recommendations for building your RC4WD 1987 Toyota XtraCab Hard Body Complete Set.

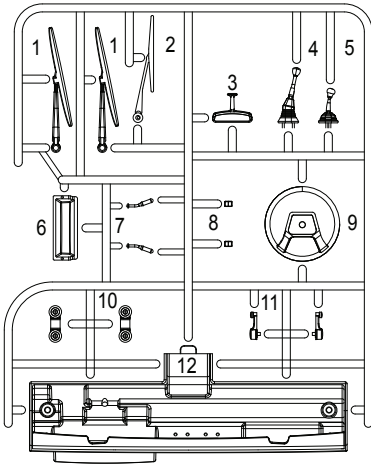
1. Carefully remove all pieces from parts trees with a hobby knife or side cutters. Take care to trim the injection point from the parts.
2. Test fit everything before gluing. Many areas will require extra attention to detail to ensure proper alignment.

## **Warranty**

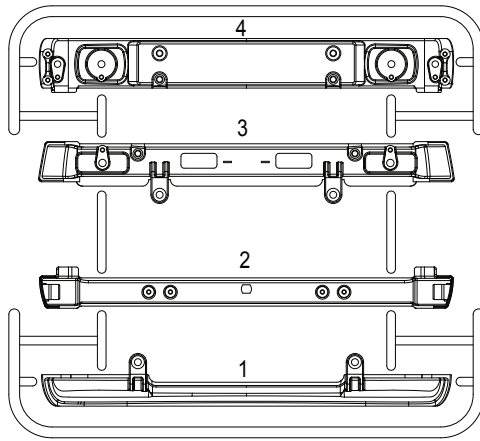
RC4WD non-electrical products are warranted to be free of defects in materials and workmanship when new. Our limited warranty does not cover damages due to normal wear and tear, user error of assembly or installation, user modifications, user's failure to perform routine maintenance, addition of aftermarket parts or option parts. This warranty lasts 30 days after arrival for original purchaser. In the event of a defect under this warranty, RC4WD will, at our discretion, replace the product, provided our inspection indicates that an original defect exists. RC4WD reserves the right to replace any product which is no longer available with a product of comparable value and function. If RC4WD determines the repair is not covered under warranty guidelines, we will contact you to discuss your options. If you have any questions, please contact us via email at [support@rc4wd.com](mailto:support@rc4wd.com).

RC4WD warrants its electronics for 30 days from date of arrival. This covers all electrical items except items that are already noted on the individual product page.

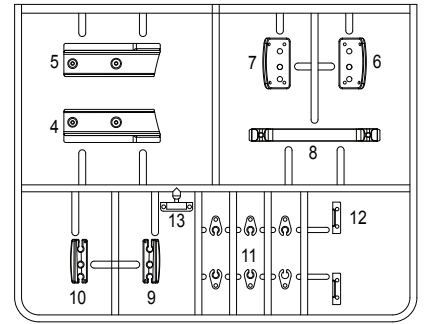
# Parts List



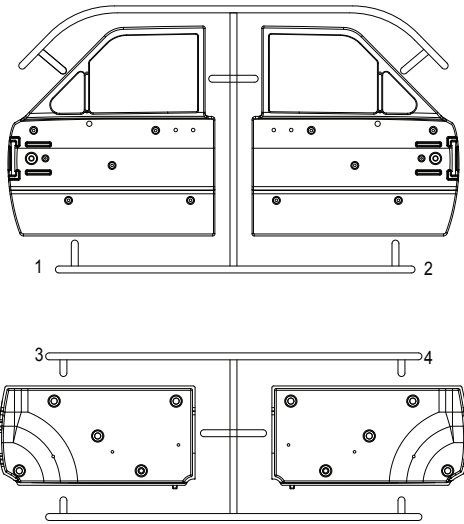
325-0087



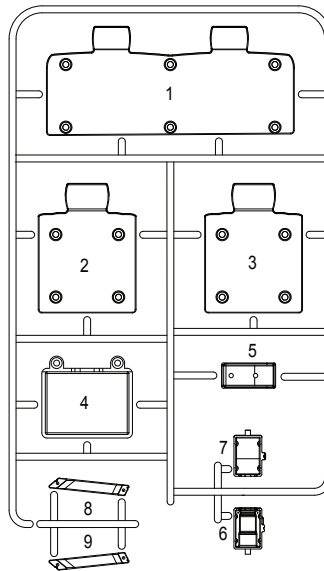
325-0109



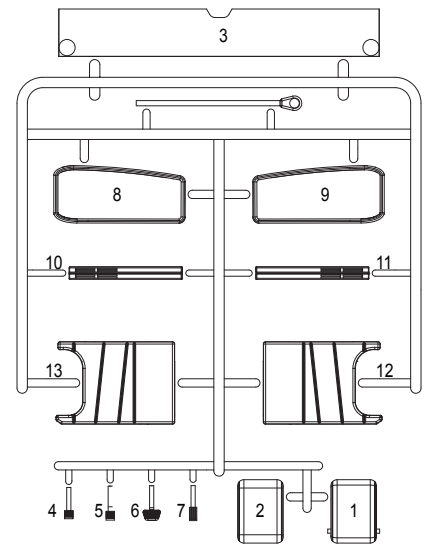
325-0931



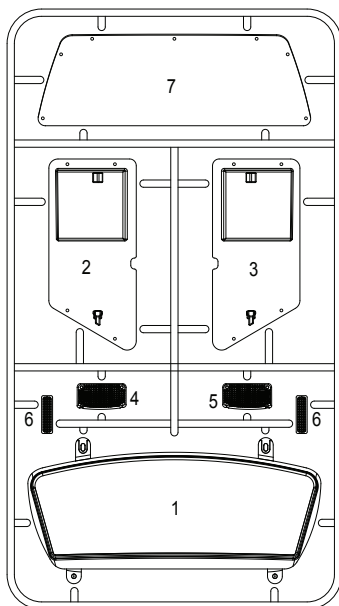
325-0115



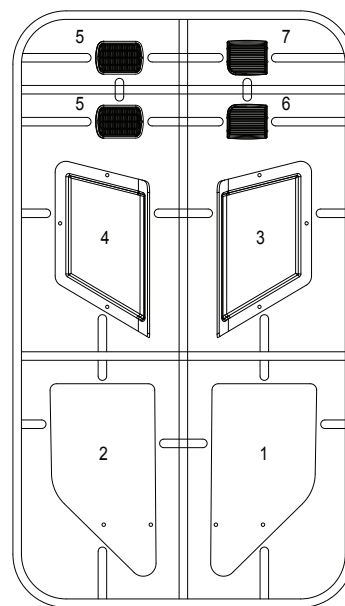
325-0093



325-0443

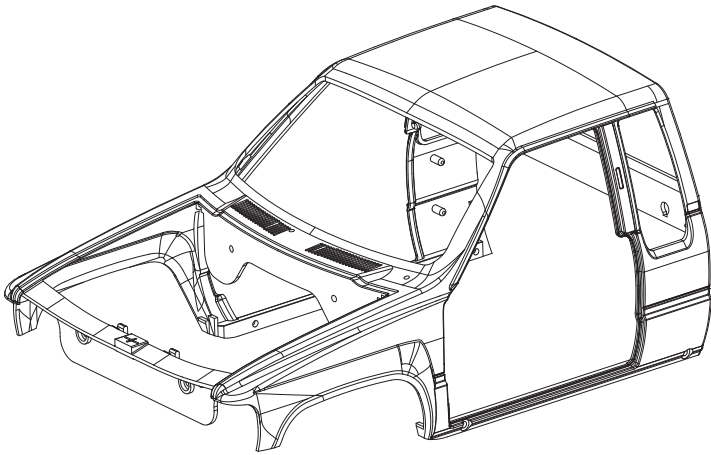


325-0068

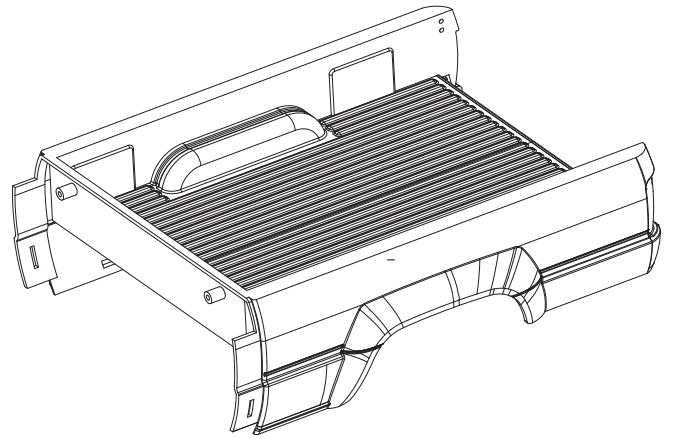


325-0072

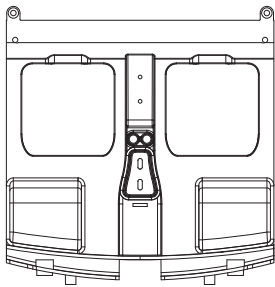
# Parts List



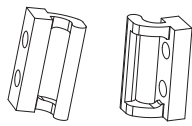
325-0436



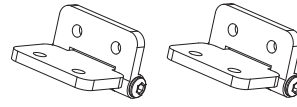
325-0437



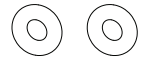
325-0438



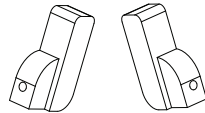
450-0108



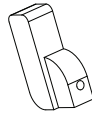
350-1180



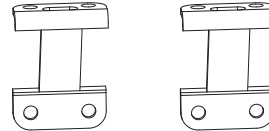
325-0981



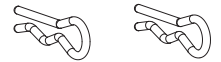
350-1072



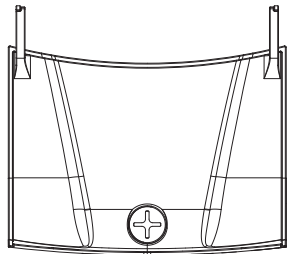
350-1073



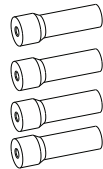
450-0114



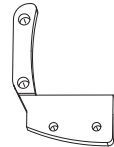
350-1182



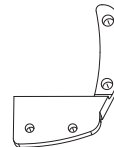
325-0090



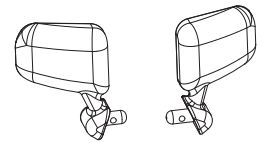
350-1375



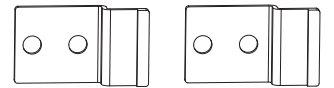
500-0106



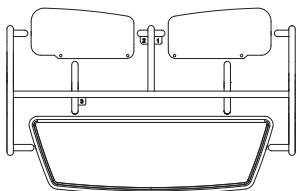
500-0107



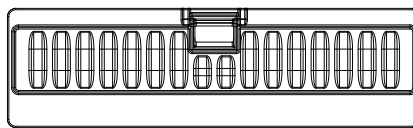
325-0119



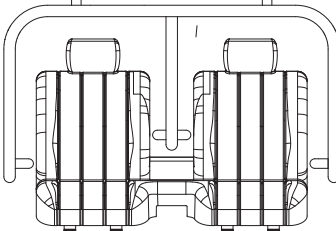
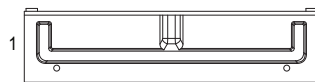
450-0113



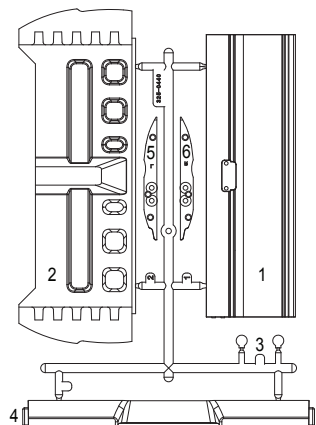
325-0444



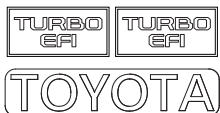
325-1130



325-0442



325-0440



350-1071

**R4WD**

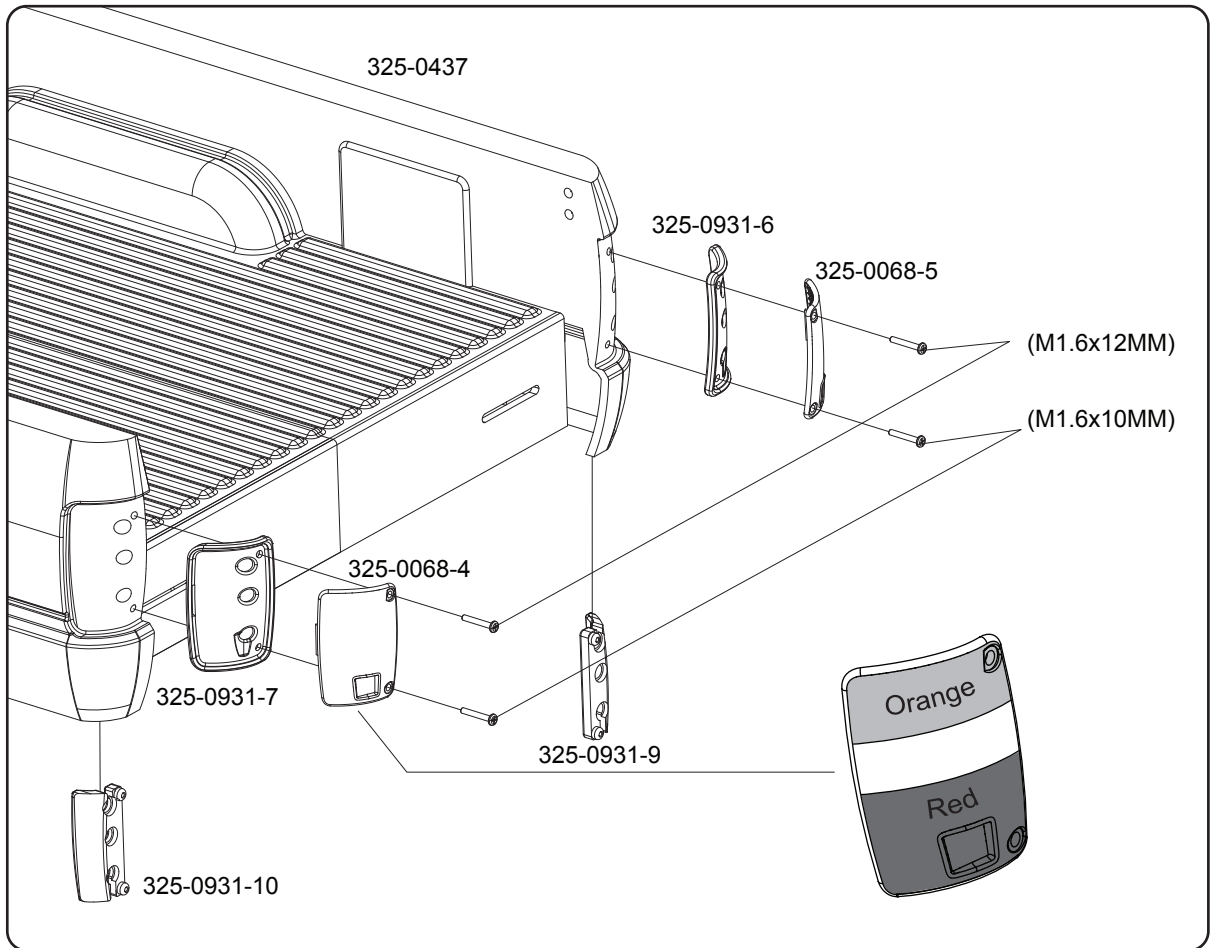
## Step 1

X2  
150-0207  
M1.6 x 10mm  
Cross Head  
Self Tapping Screws

X2  
150-0300  
M1.6 x 12mm  
Cross Head  
Self Tapping Screws

\*Pre-screw the holes in the inner mounts. This will make installing the brackets much easier.

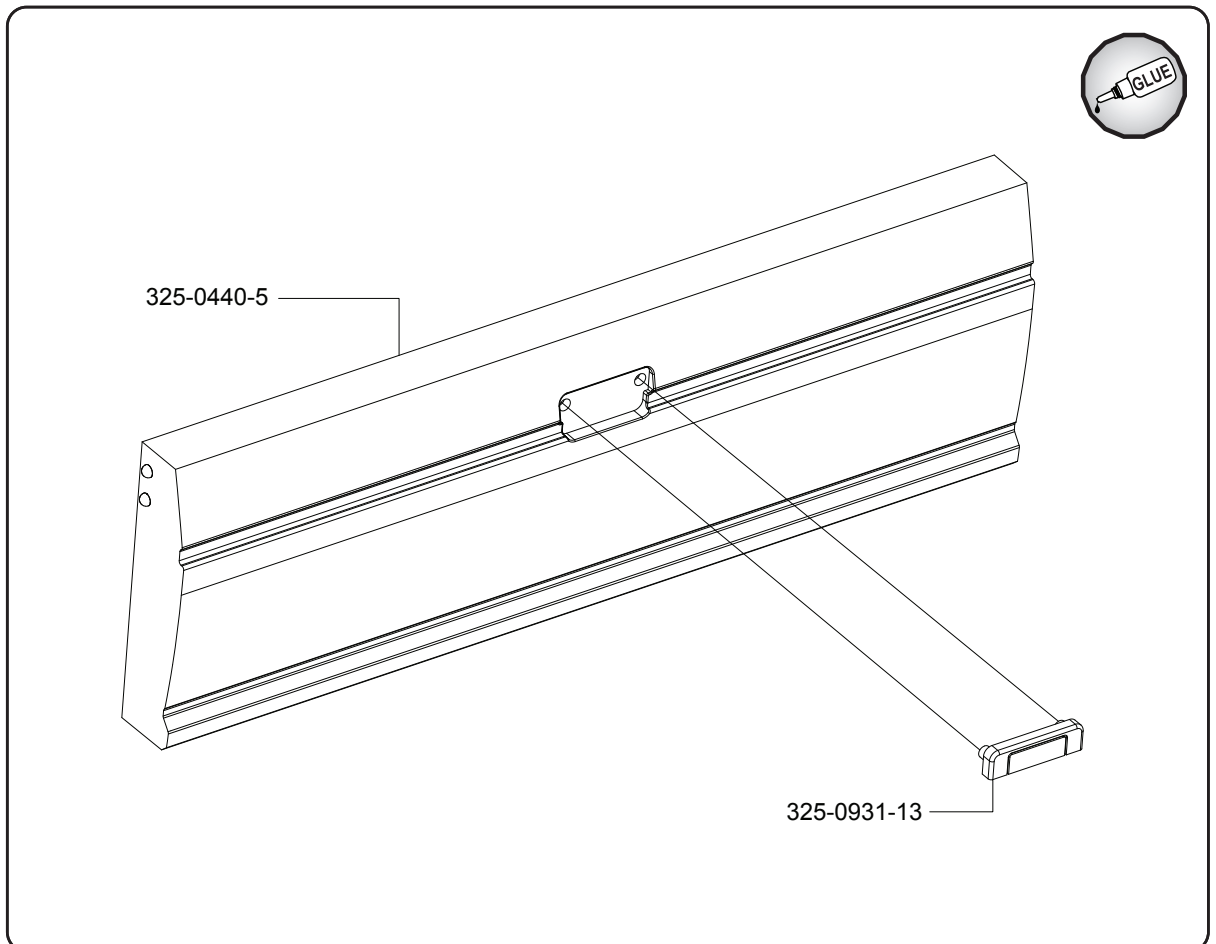
\*Use Tamiya Translucent Paint in the areas labeled with colors on the lights.



**R4WD**

## Step 2

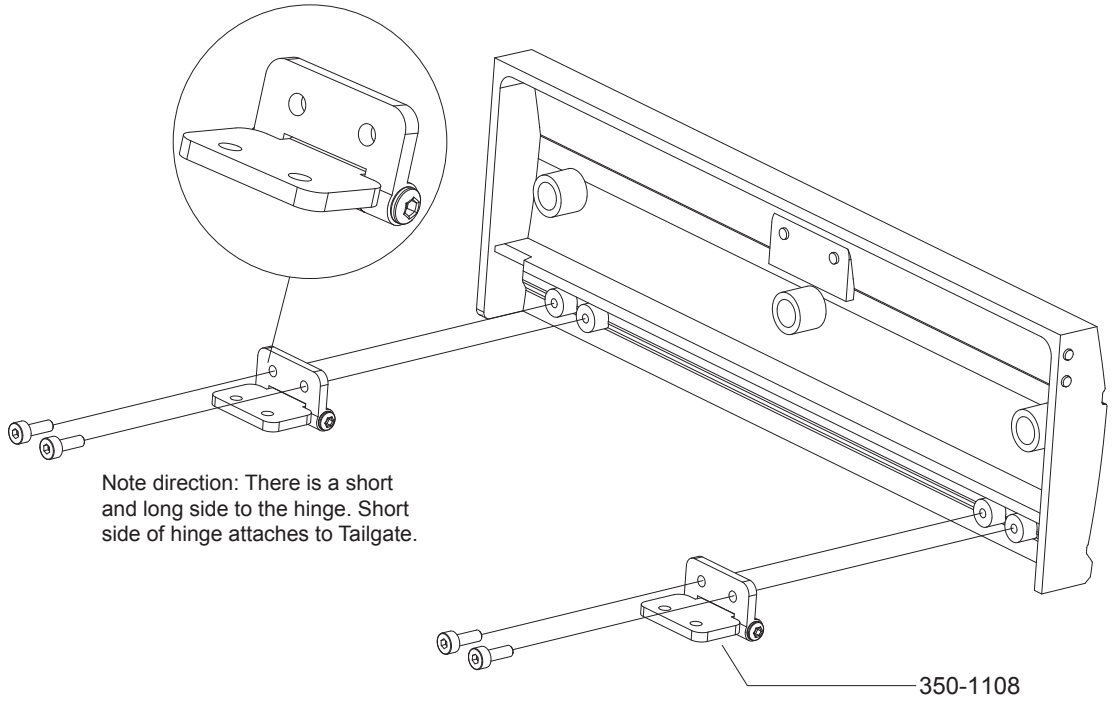
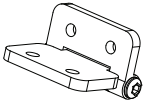
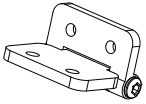
\*Use styrene solvent glue or foam safe super glue.



**R4WD**

### Step 3

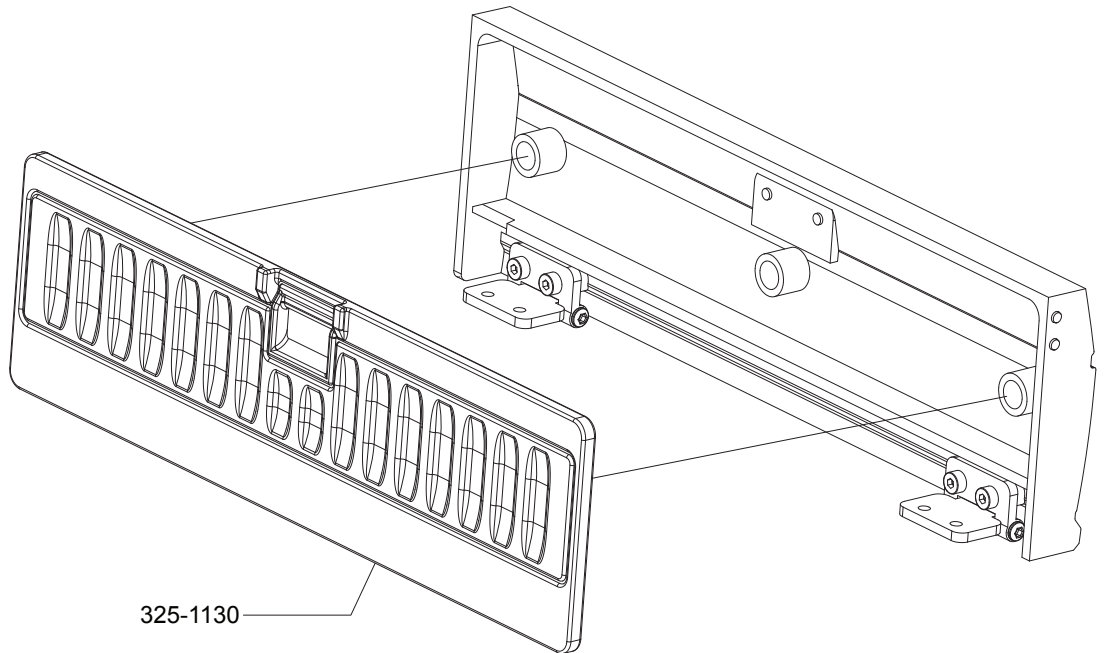
X4  
150-0237  
M2 x 5mm  
Socket Head  
Self Tapping Screws



**R4WD**

### Step 4

\*Use styrene solvent glue or foam safe super glue.



**R4WD**

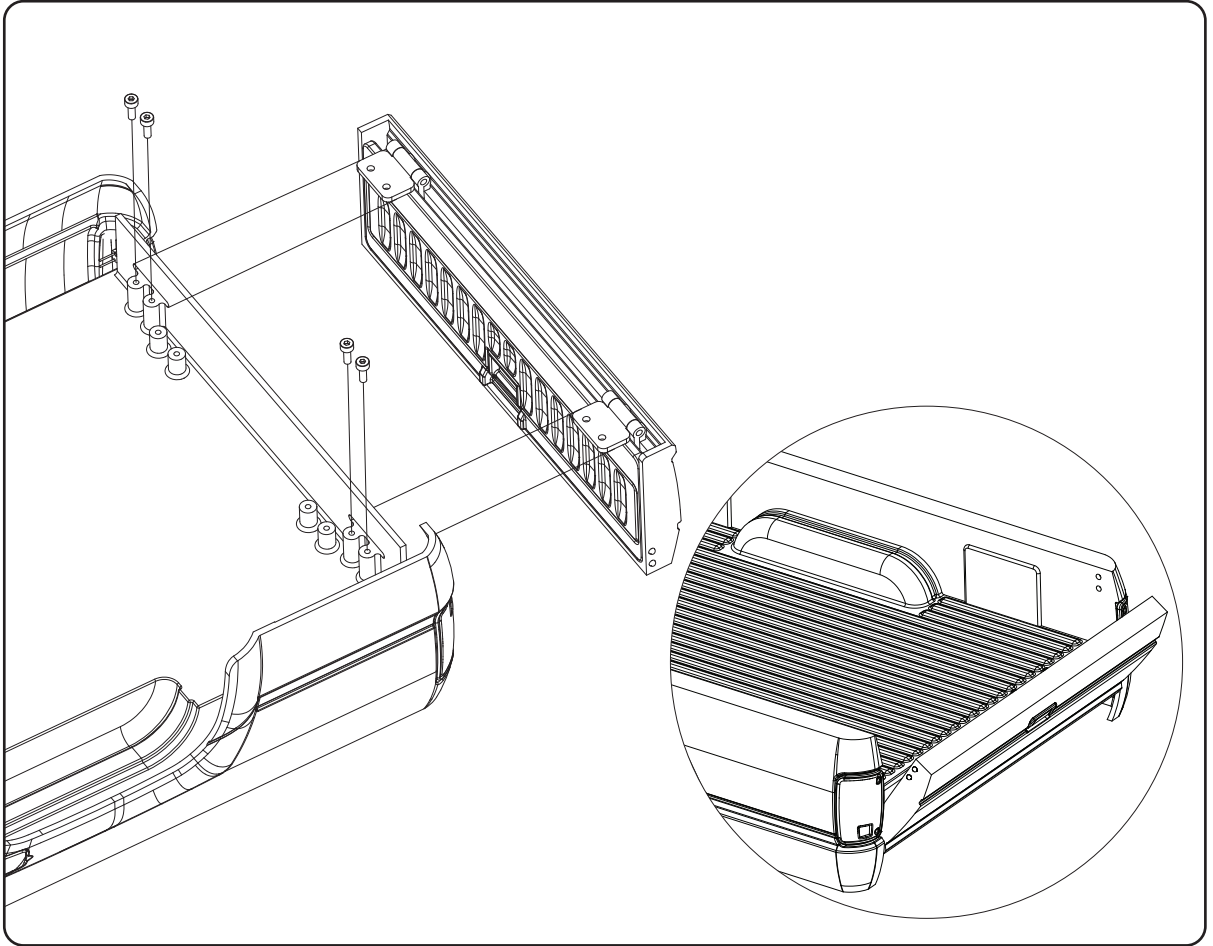
## Step 5

\*Locking posts are designed for a very snug fit when the tailgate is closed. These may be trimmed slightly to allow the tailgate to open more easily if desired.



X4

150-0238  
M2 x 6mm  
Socket Head  
Self Tapping Screws



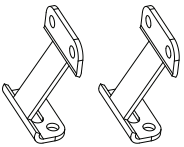
**R4WD**

## Step 6

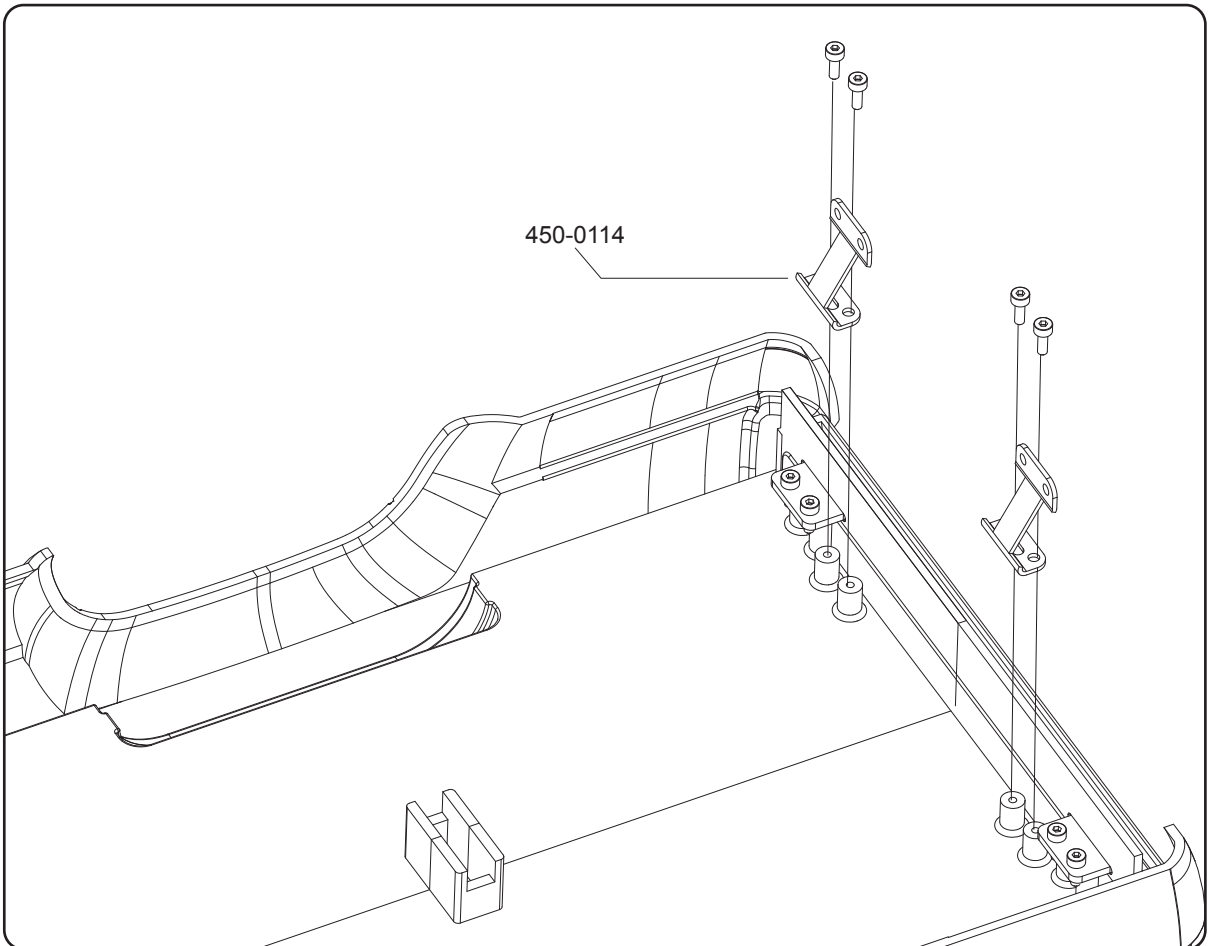


X4

150-0238  
M2 x 6mm  
Socket Head  
Self Tapping Screws



450-0114

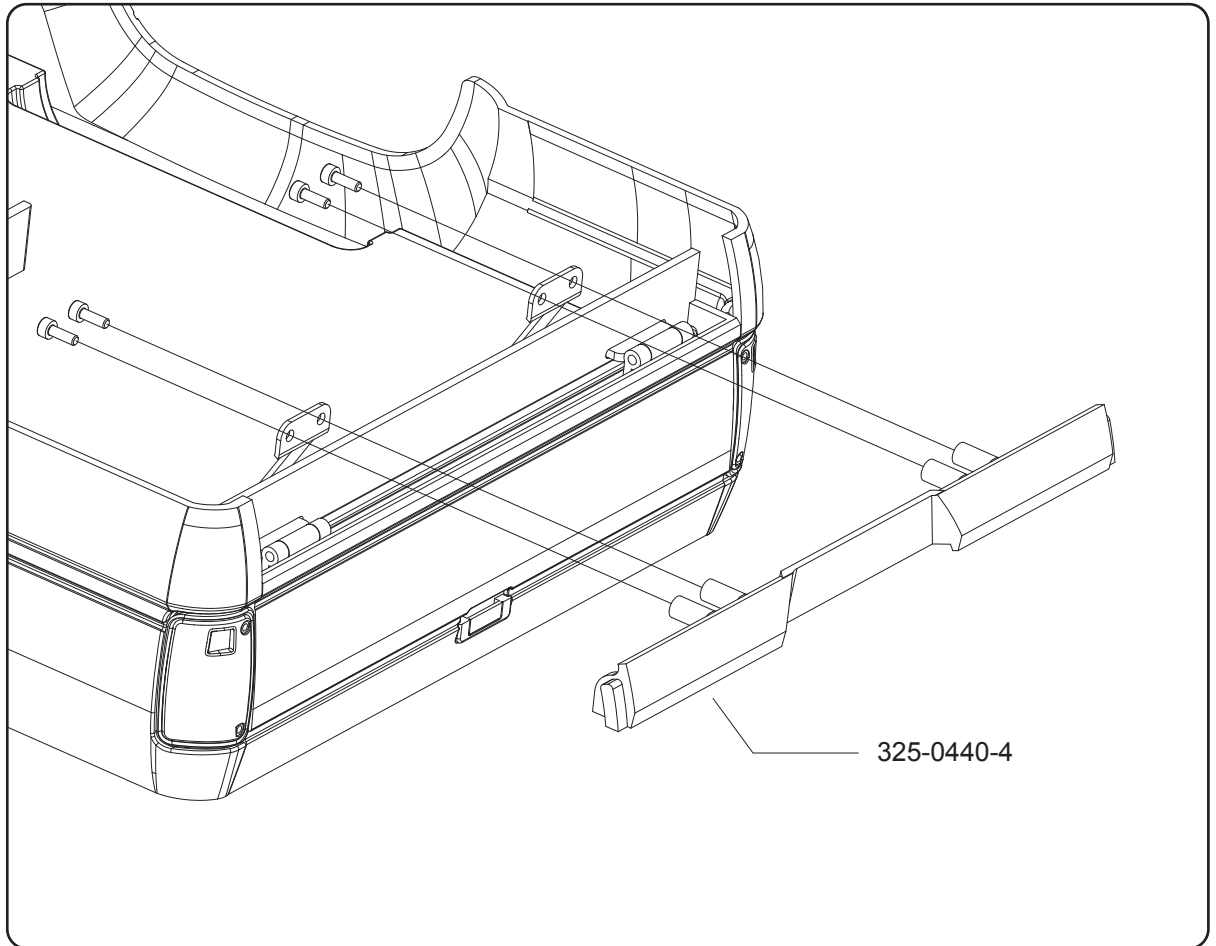




**R4WD**

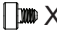
**Step 7**

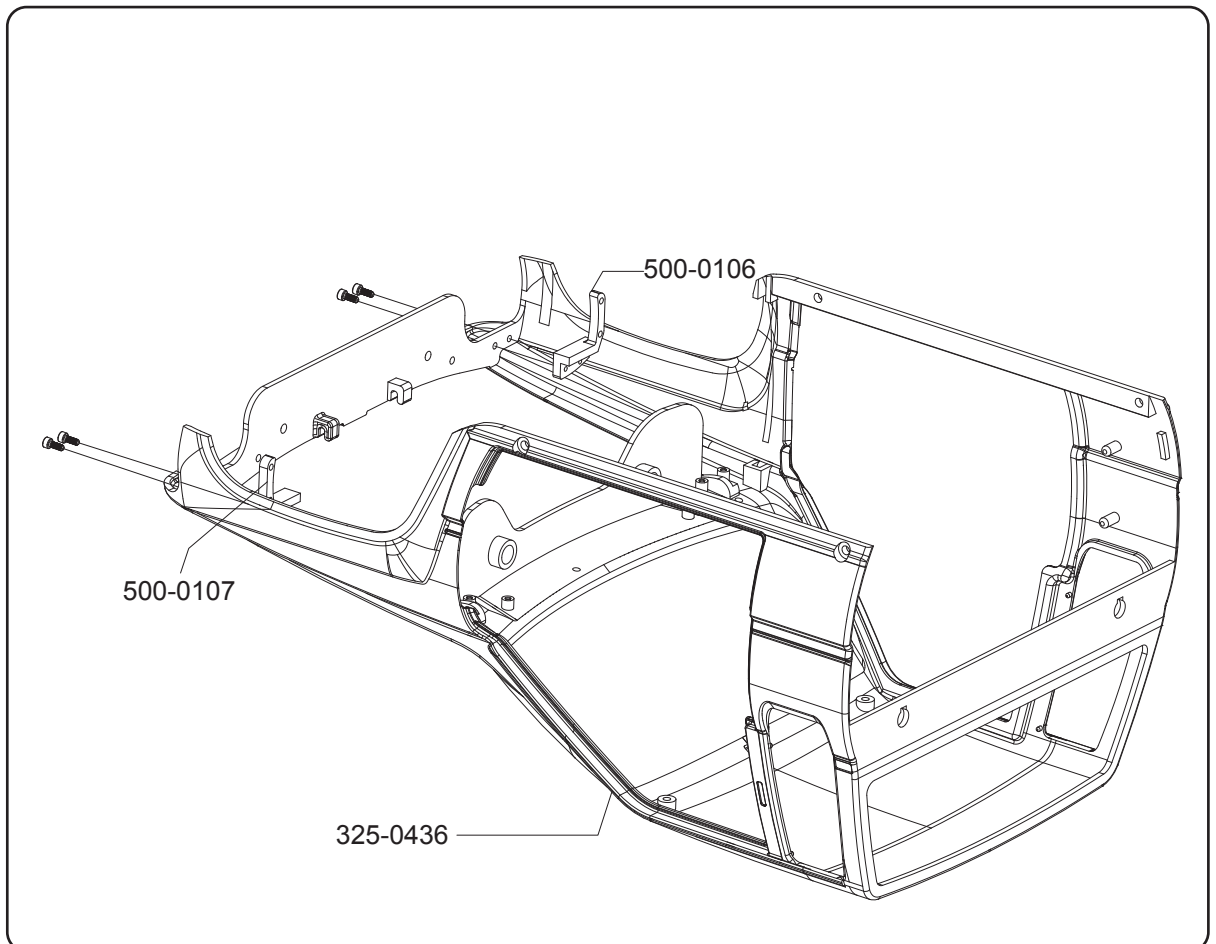
 X4  
150-0238  
M2 x 6mm  
Socket Head  
Self Tapping Screws



**R4WD**

**Step 8**

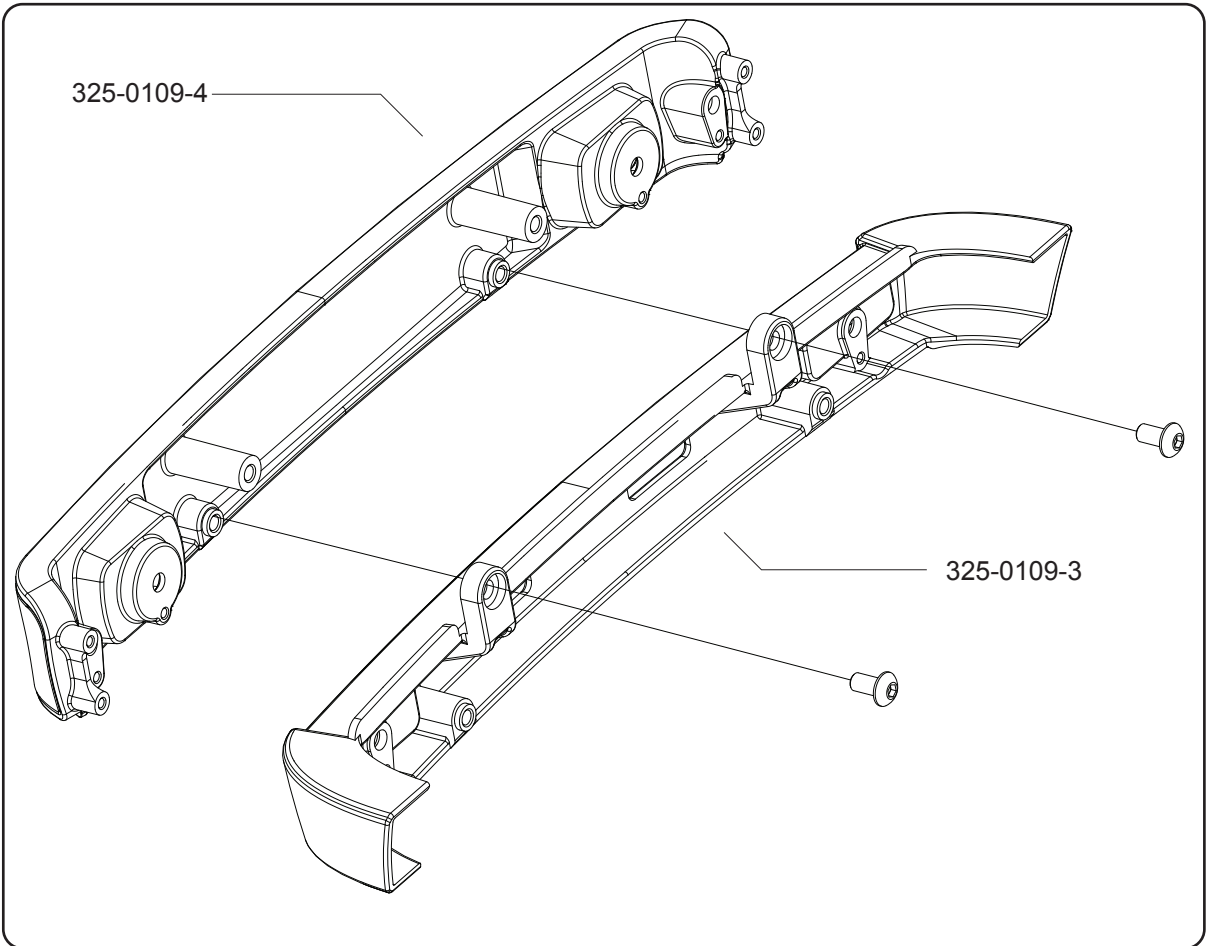
 X4  
150-0002  
M2 x 4mm SHCS



**R4WD**

**Step 9**

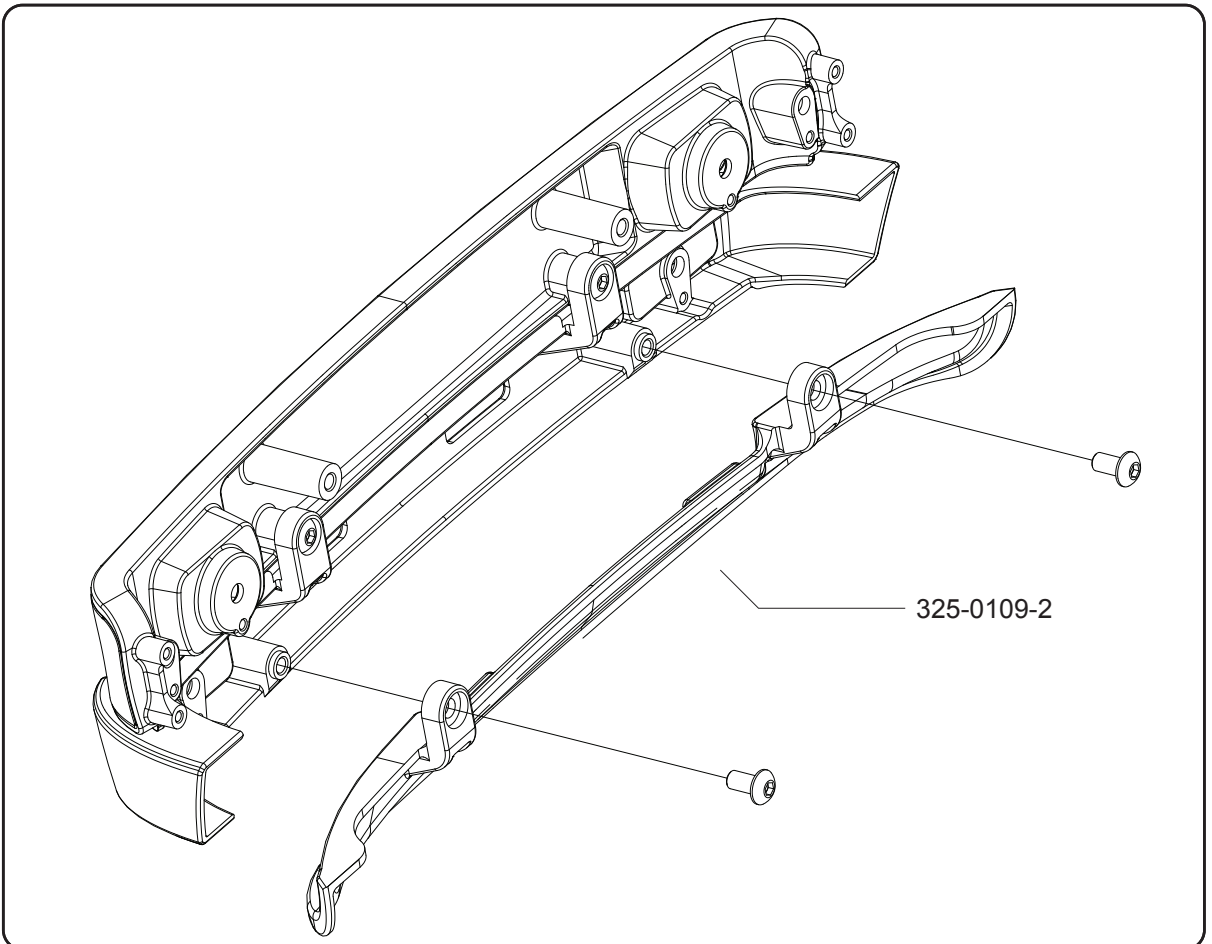
 X2  
150-0208  
M3 x 6mm  
Button ahead  
Self Tapping Screws



**R4WD**

**Step 10**

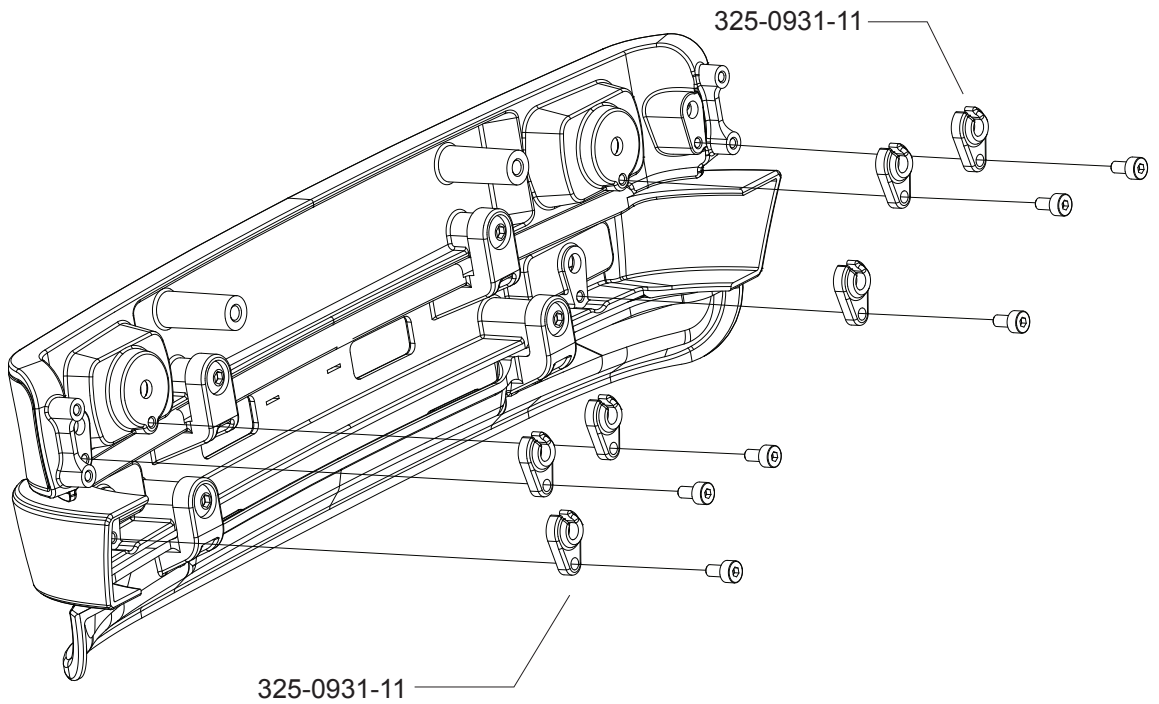
 X2  
150-0208  
M3 x 6mm  
Button ahead  
Self Tapping Screws



**R4WD**

## Step 11

 X6  
150-0237  
M2 x 5mm  
Socket Head  
Self Tapping Screws

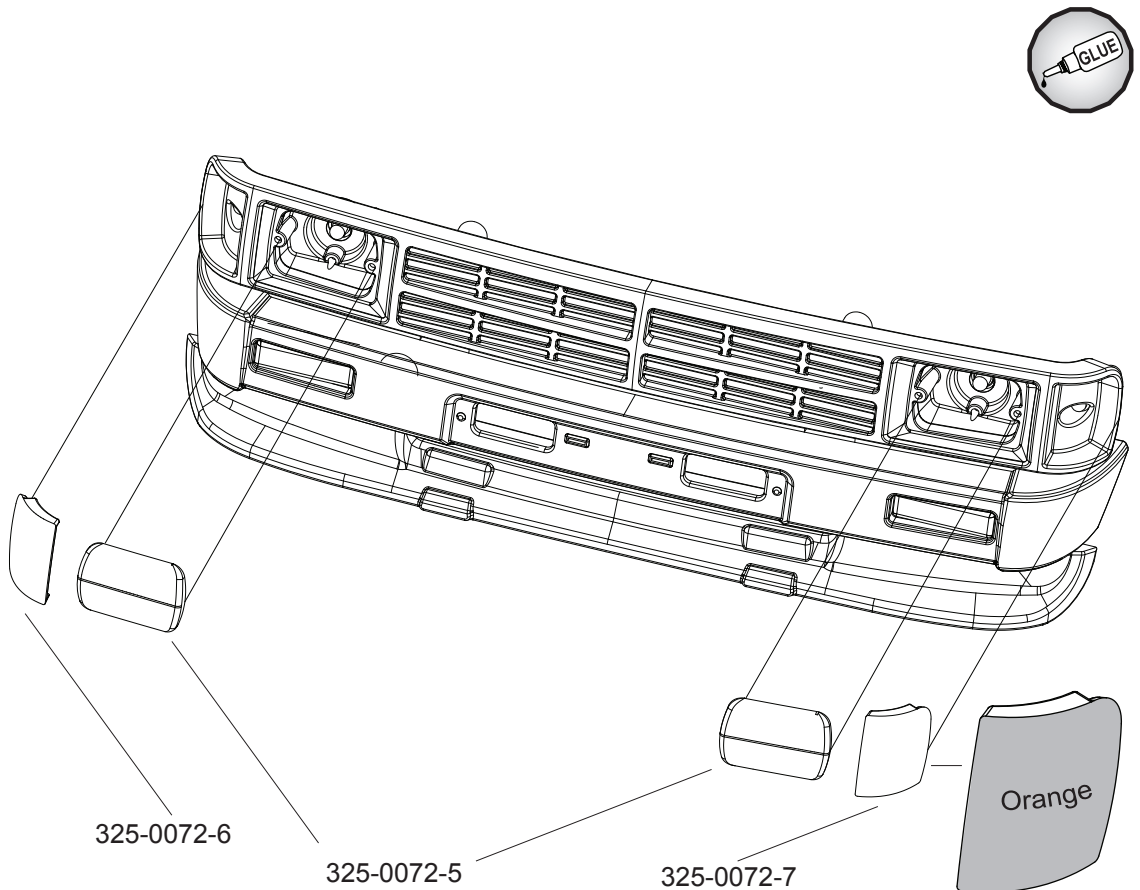


**R4WD**

## Step 12

\*Use styrene solvent glue or foam safe super glue.

\*Use Tamiya Translucent Paint in the areas labeled with colors on the lights.



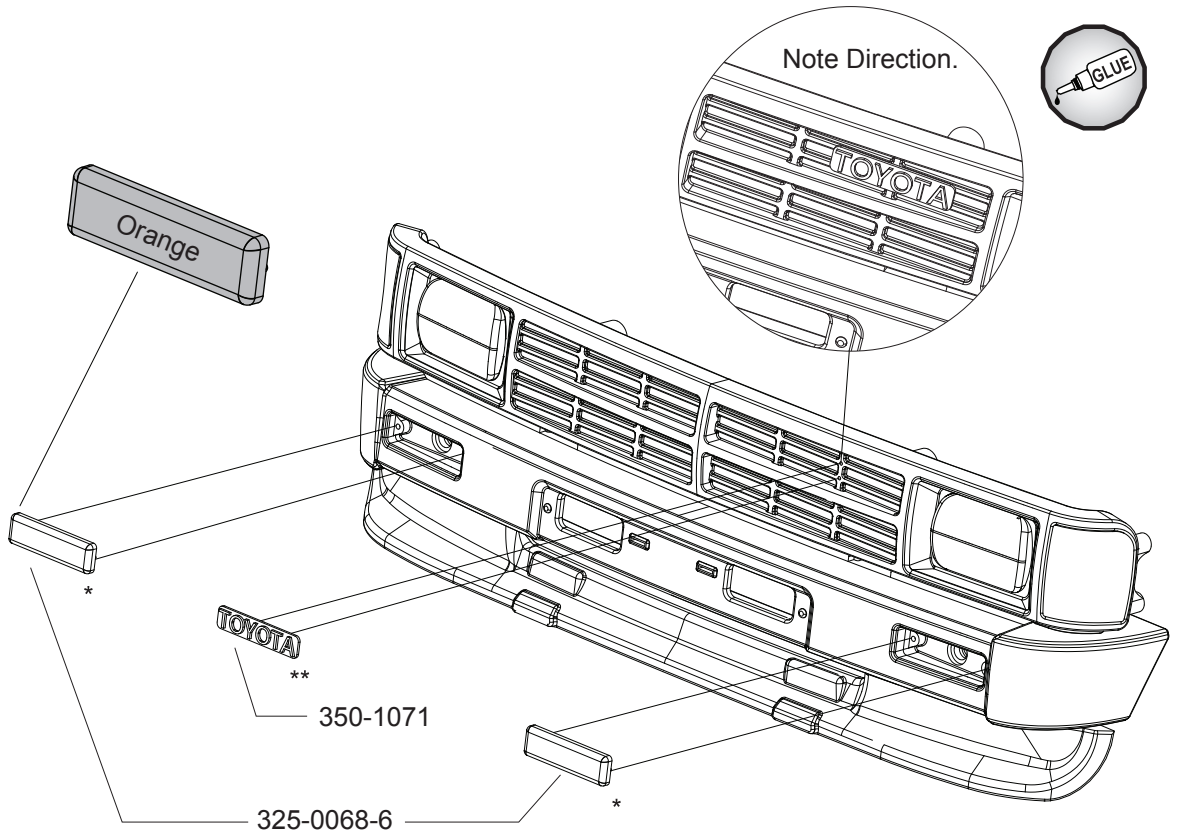
# R4WD

## Step 13

\*Use styrene solvent glue or foam safe super glue.

Use shoe goo or E6000 for emblem.


\*Use Tamiya Translucent Paint in the areas labeled with colors on the lights.

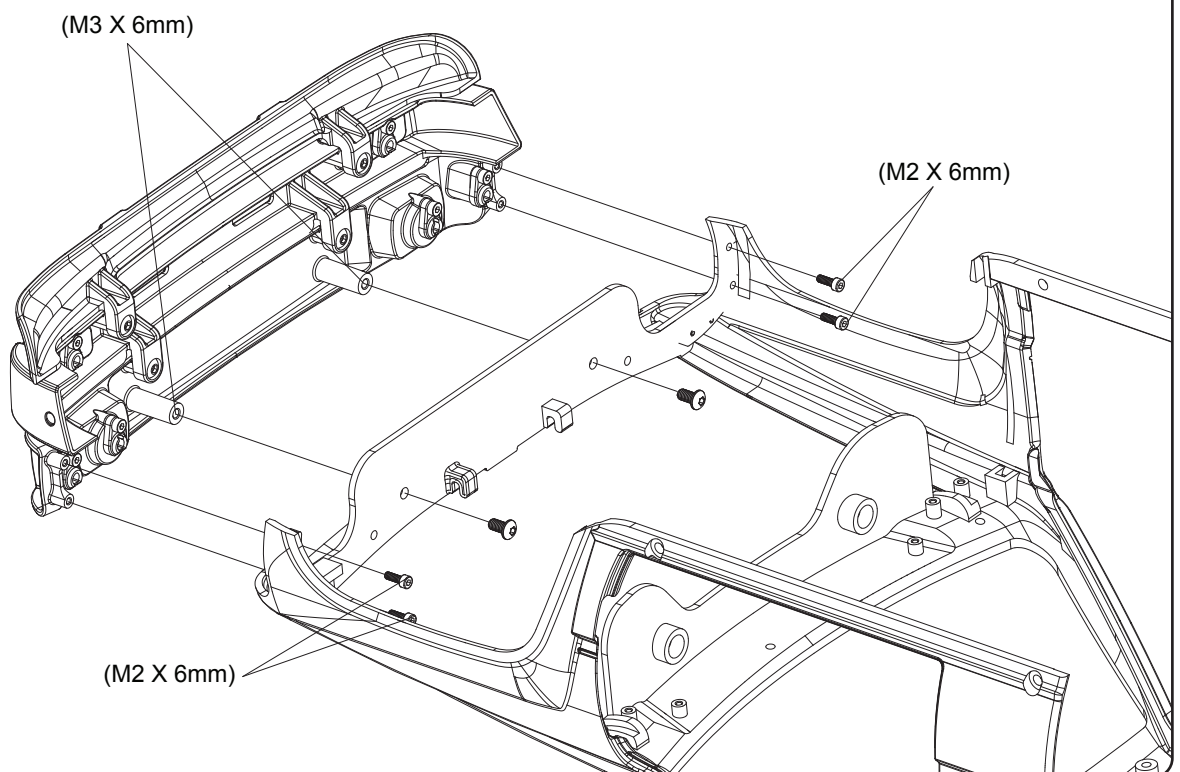


# R4WD

## Step 14


 X2  
150-0208  
M3 x 6mm  
Cross Head  
Self Tapping Screws

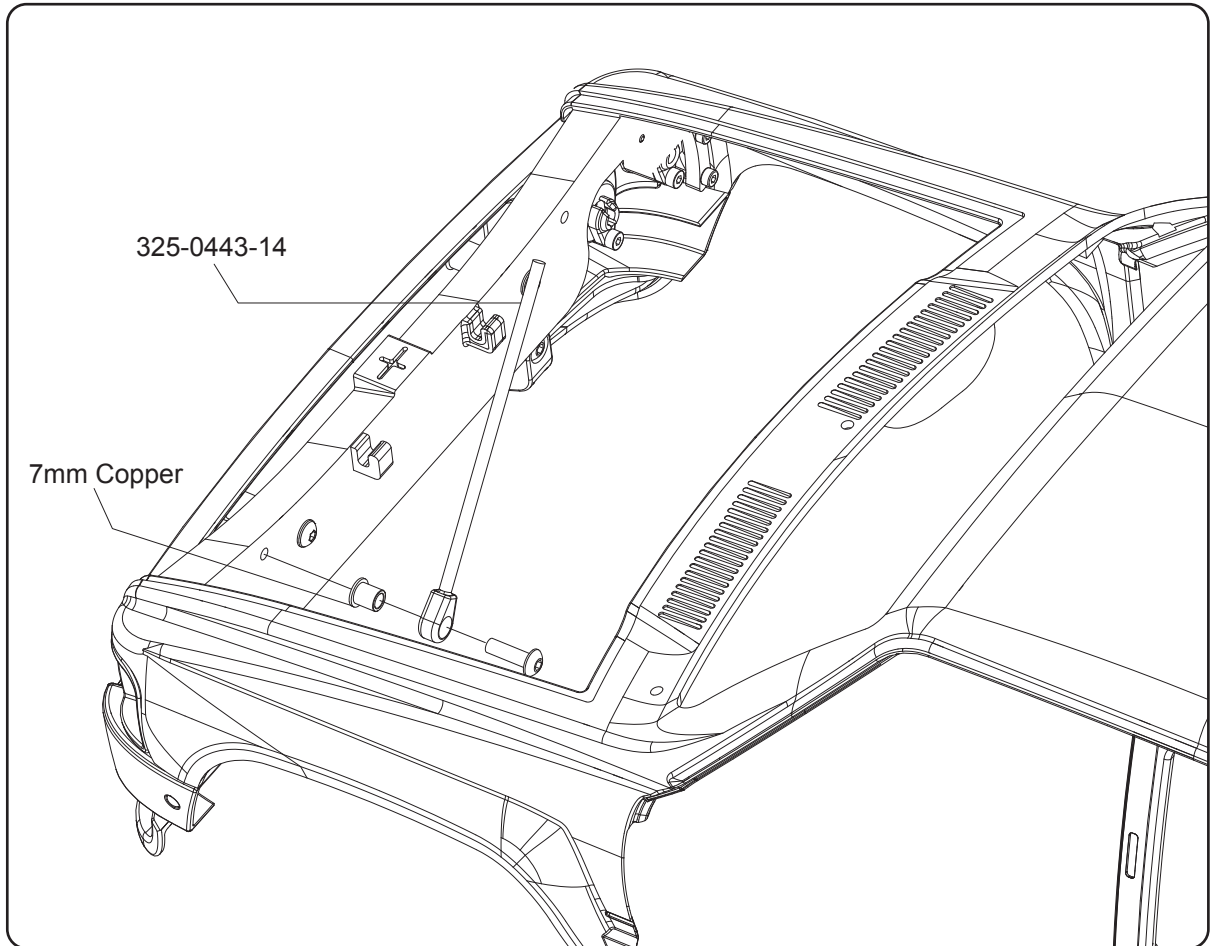
 X4  
150-0238  
M2 x 6mm  
Socket Head  
Self Tapping Screws



**R4WD**

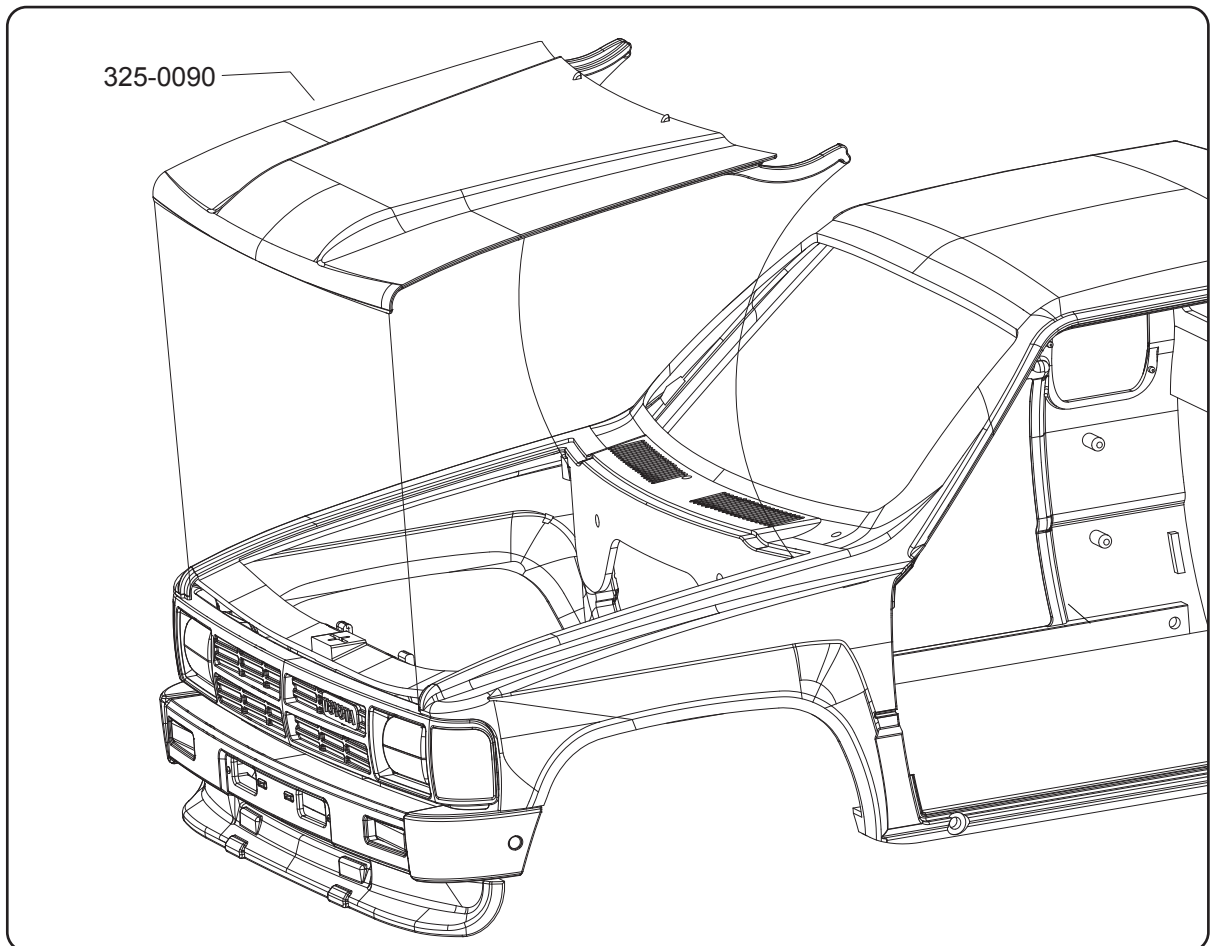
**Step 15**

 X1  
150-0196  
M3 x 10mm  
Cross Head  
Self Tapping Screws



**R4WD**

**Step 16**

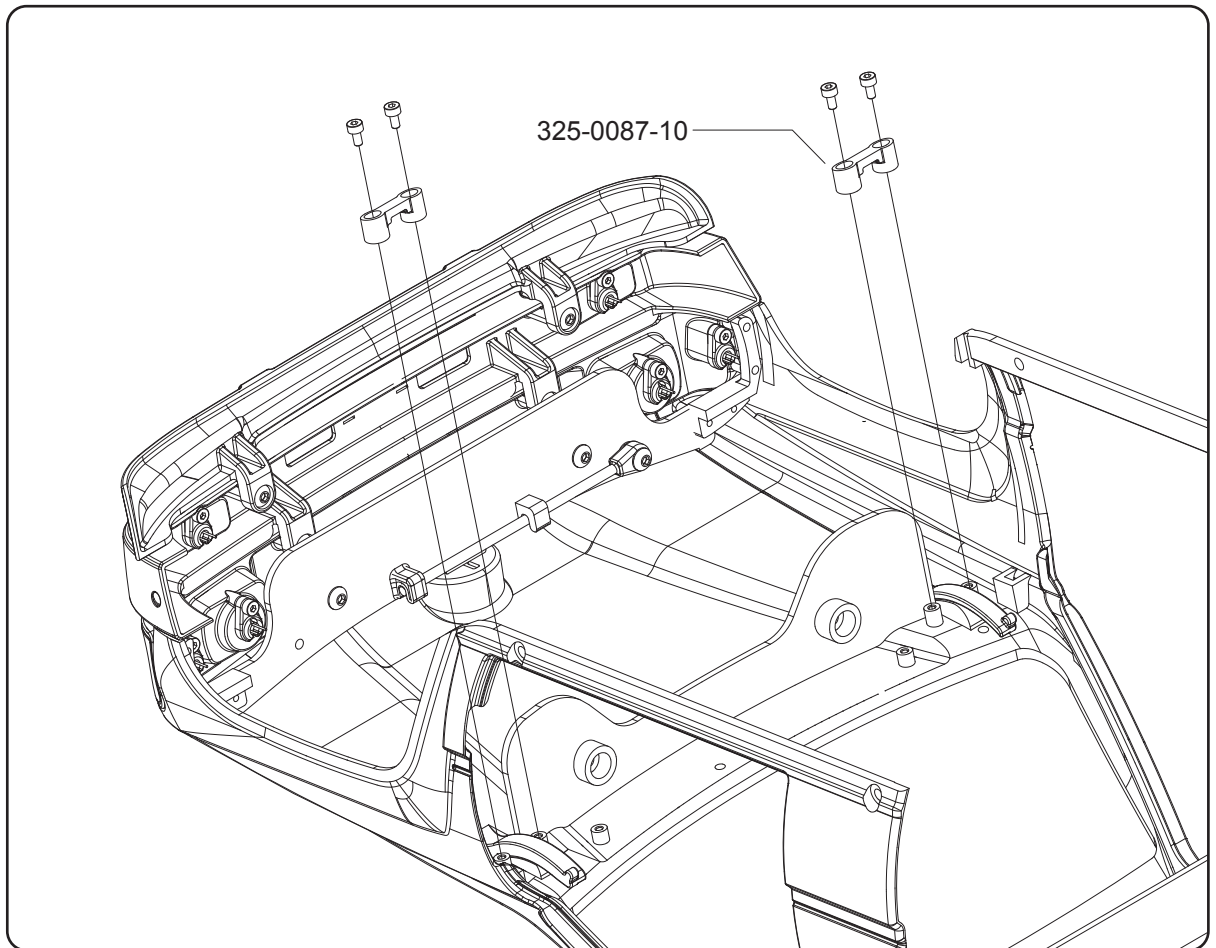


**R4WD**

## Step 17

Over tightening the brackets may cause the hood to stick when opening.

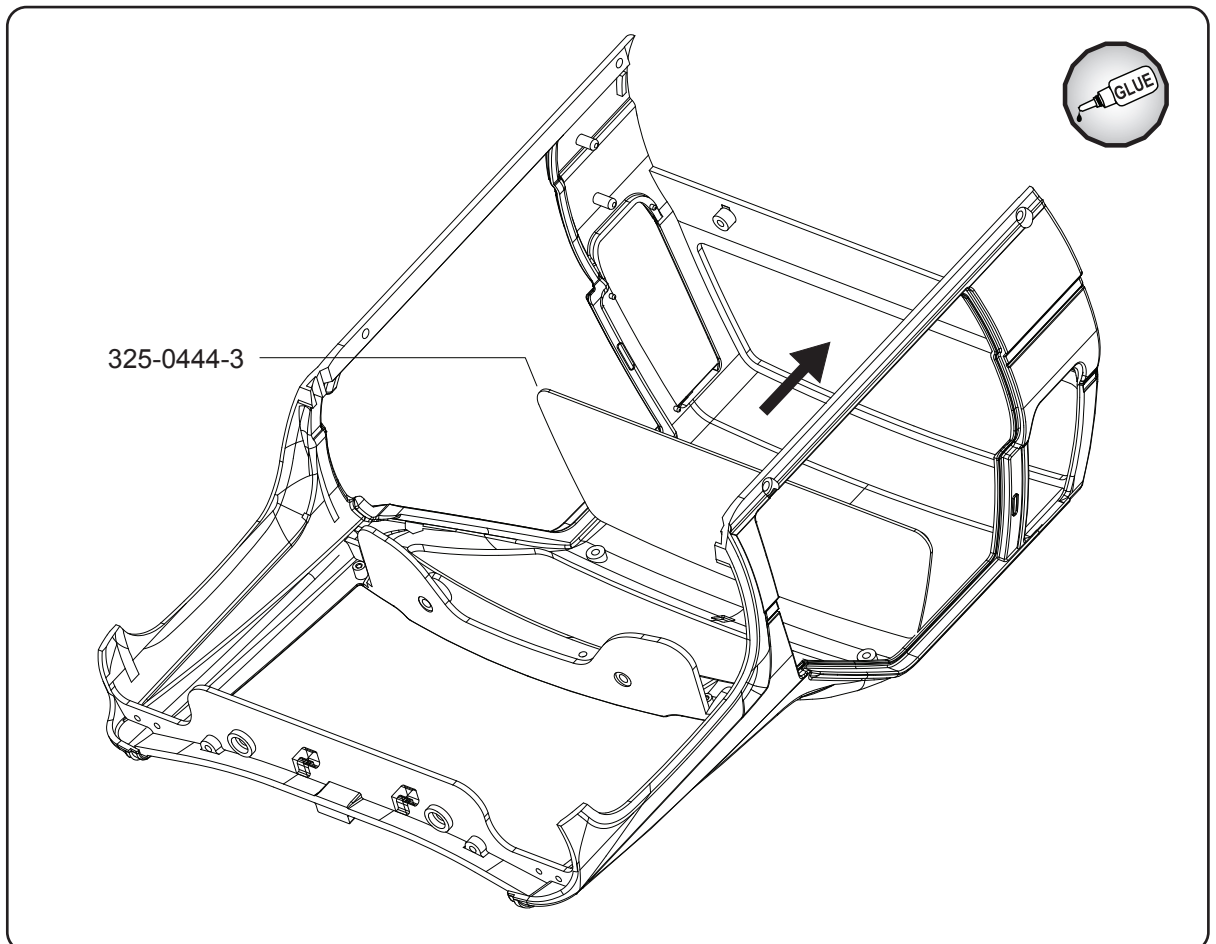
 X4  
150-0237  
M2 x 5mm  
Socket Head  
Self Tapping Screws



**R4WD**

## Step 18

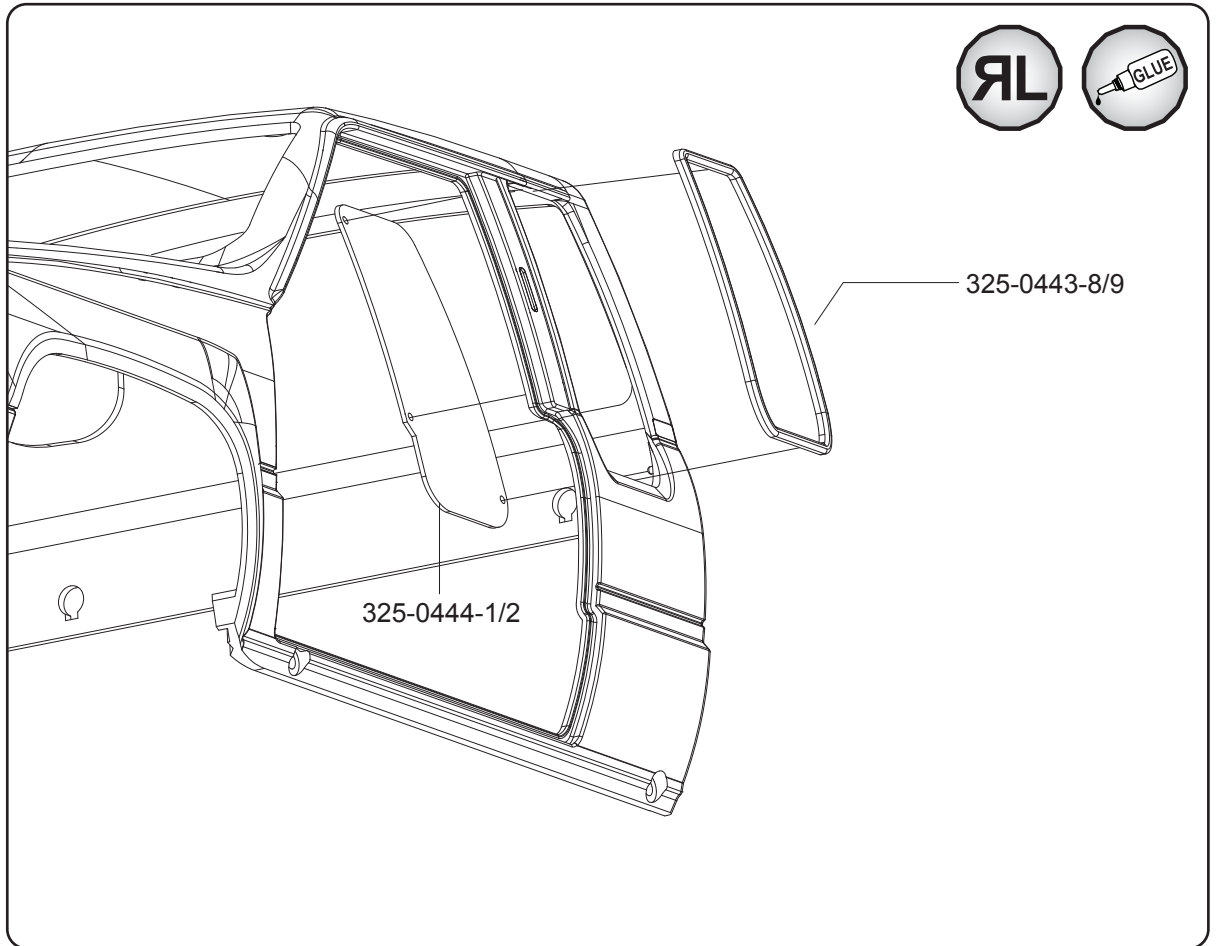
\*Use styrene solvent glue or foam safe super glue.



**RLWD**

**Step 19**

\*Use styrene solvent glue or foam safe super glue.

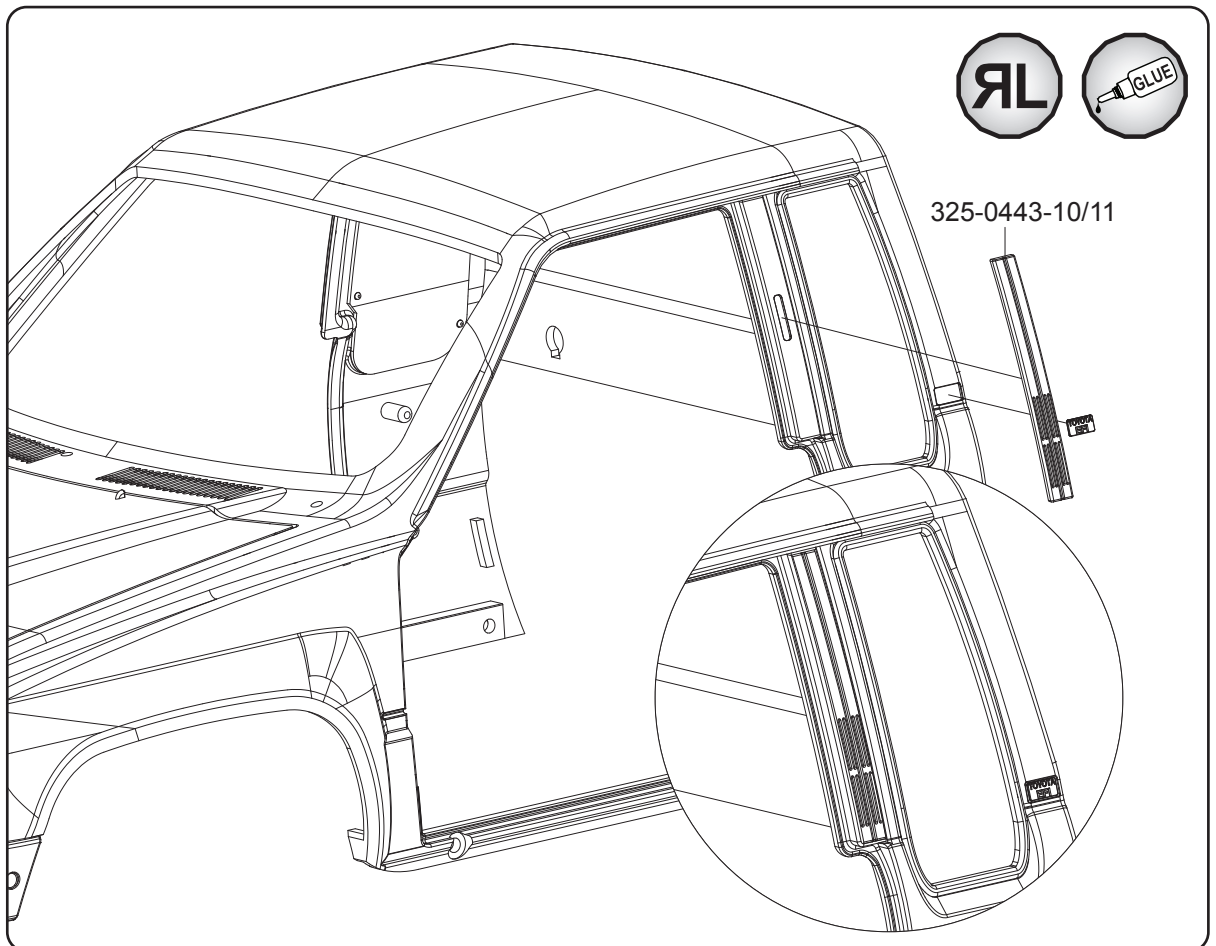


**RLWD**

**Step 20**

\*Use styrene solvent glue or foam safe super glue.

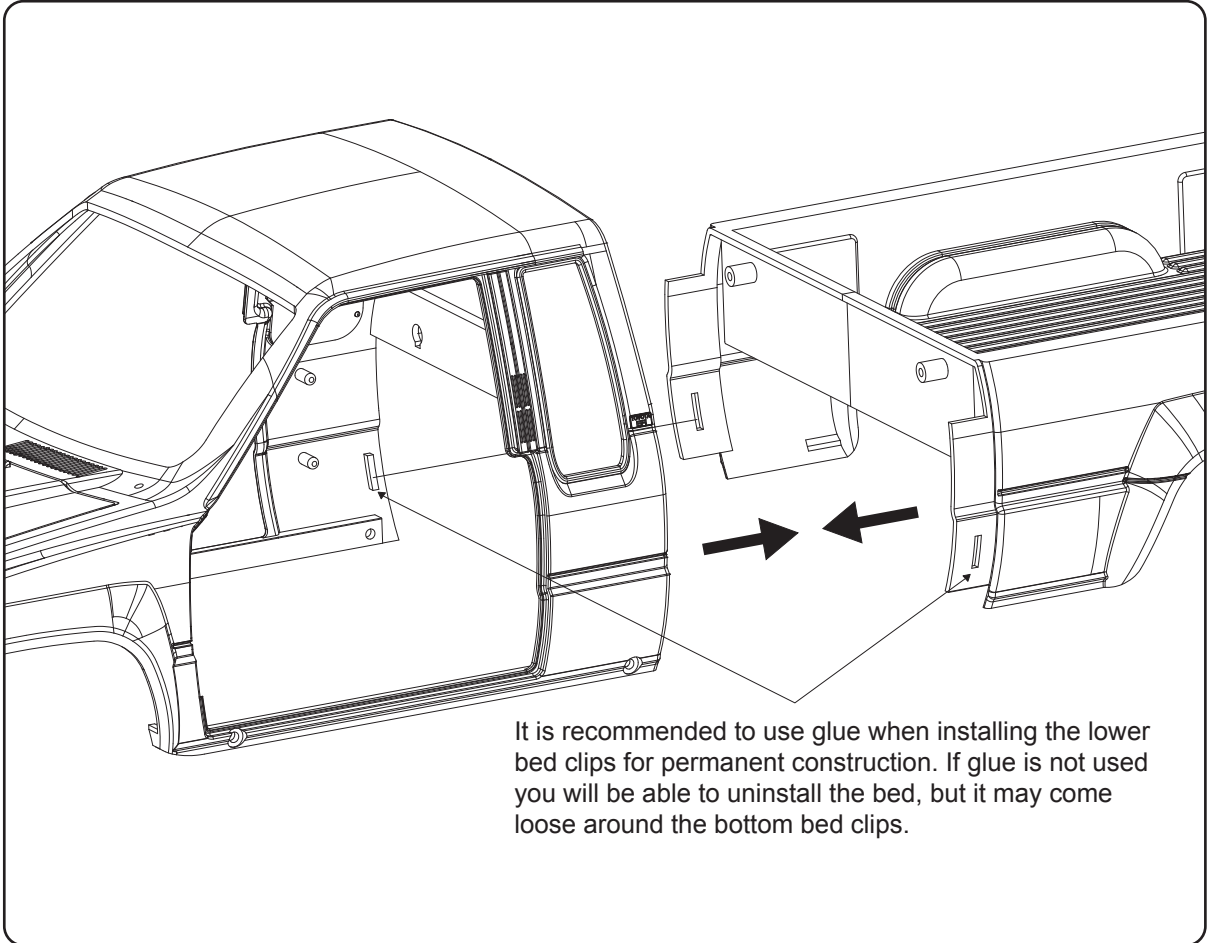
Use shoe goo or E6000 for emblem.



**R4WD**

## Step 21

\*Use styrene solvent glue or foam safe super glue.



It is recommended to use glue when installing the lower bed clips for permanent construction. If glue is not used you will be able to uninstall the bed, but it may come loose around the bottom bed clips.

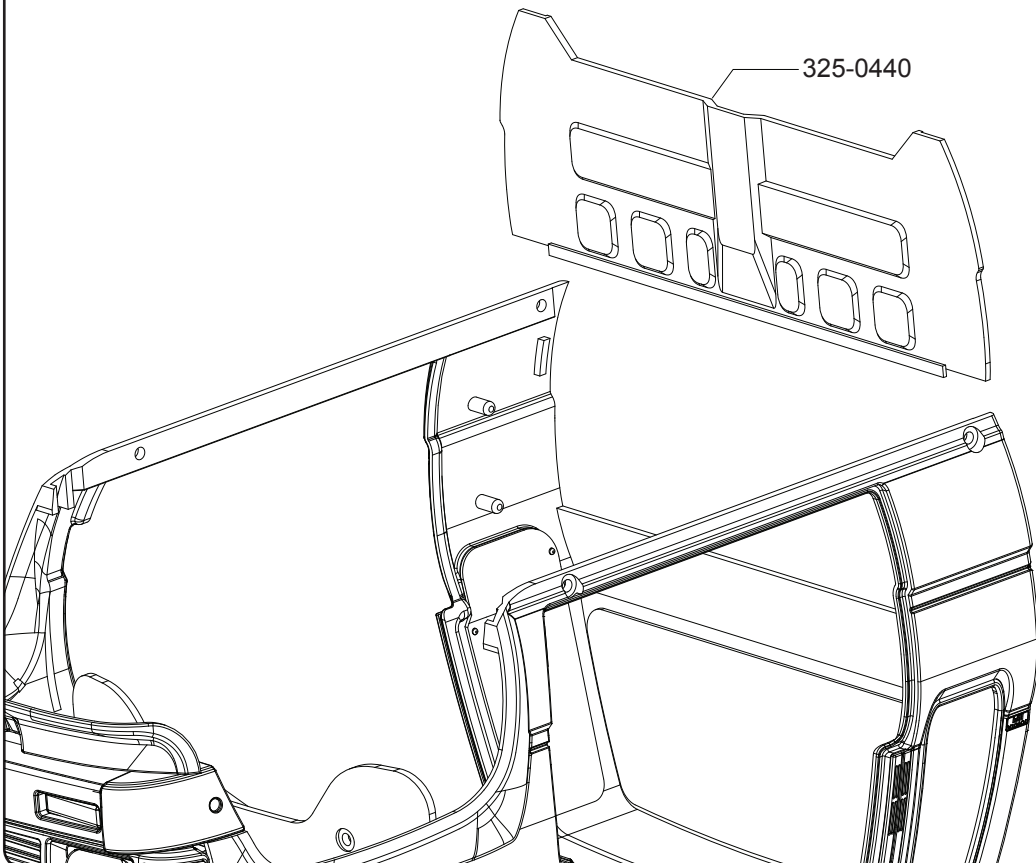
**R4WD**

## Step 22

\*Use styrene solvent glue or foam safe super glue.

Install the Cab Back if not using the bed.

Installing optional Cab Back. Optional Cab Back can't be installed together with rear bed.

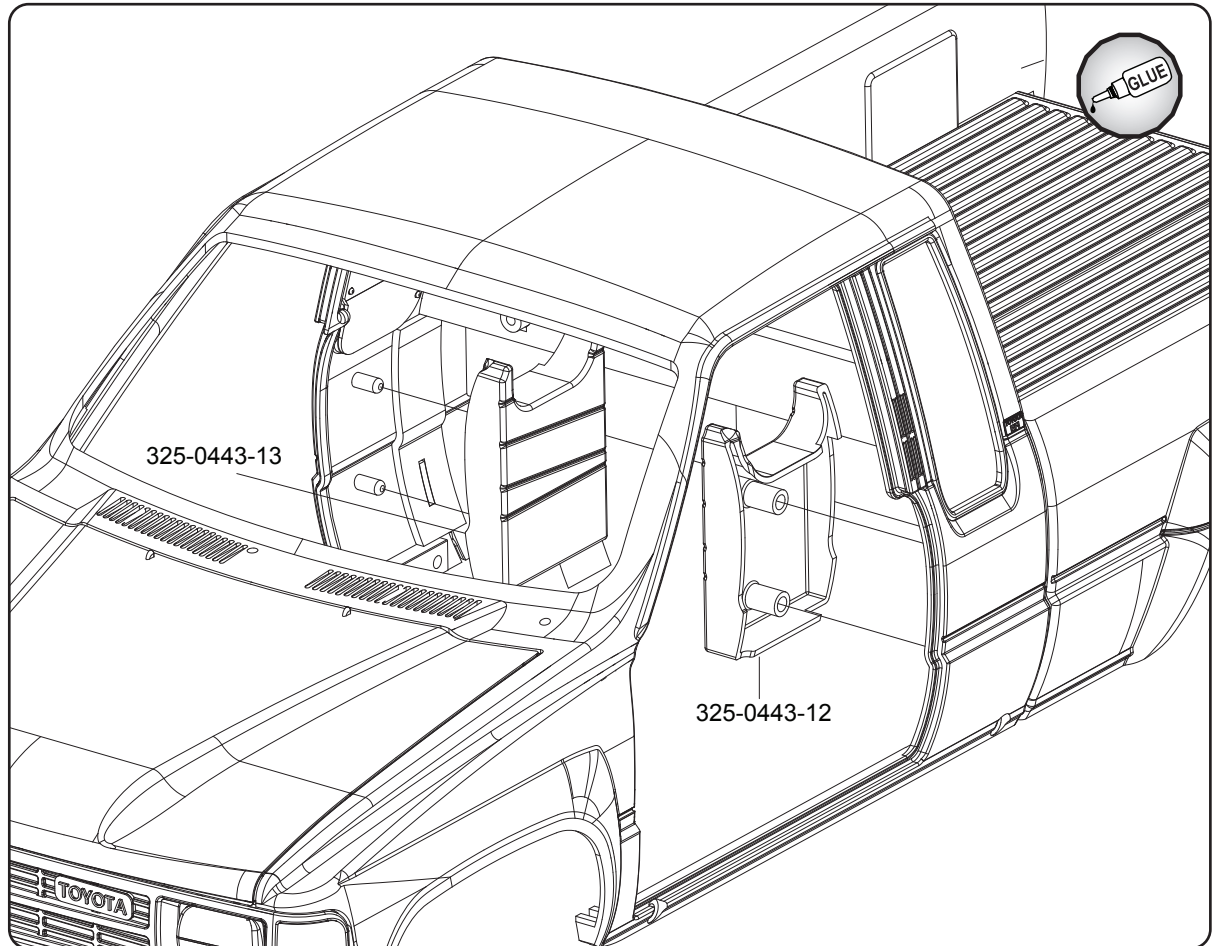




**RC4WD**

## Step 23

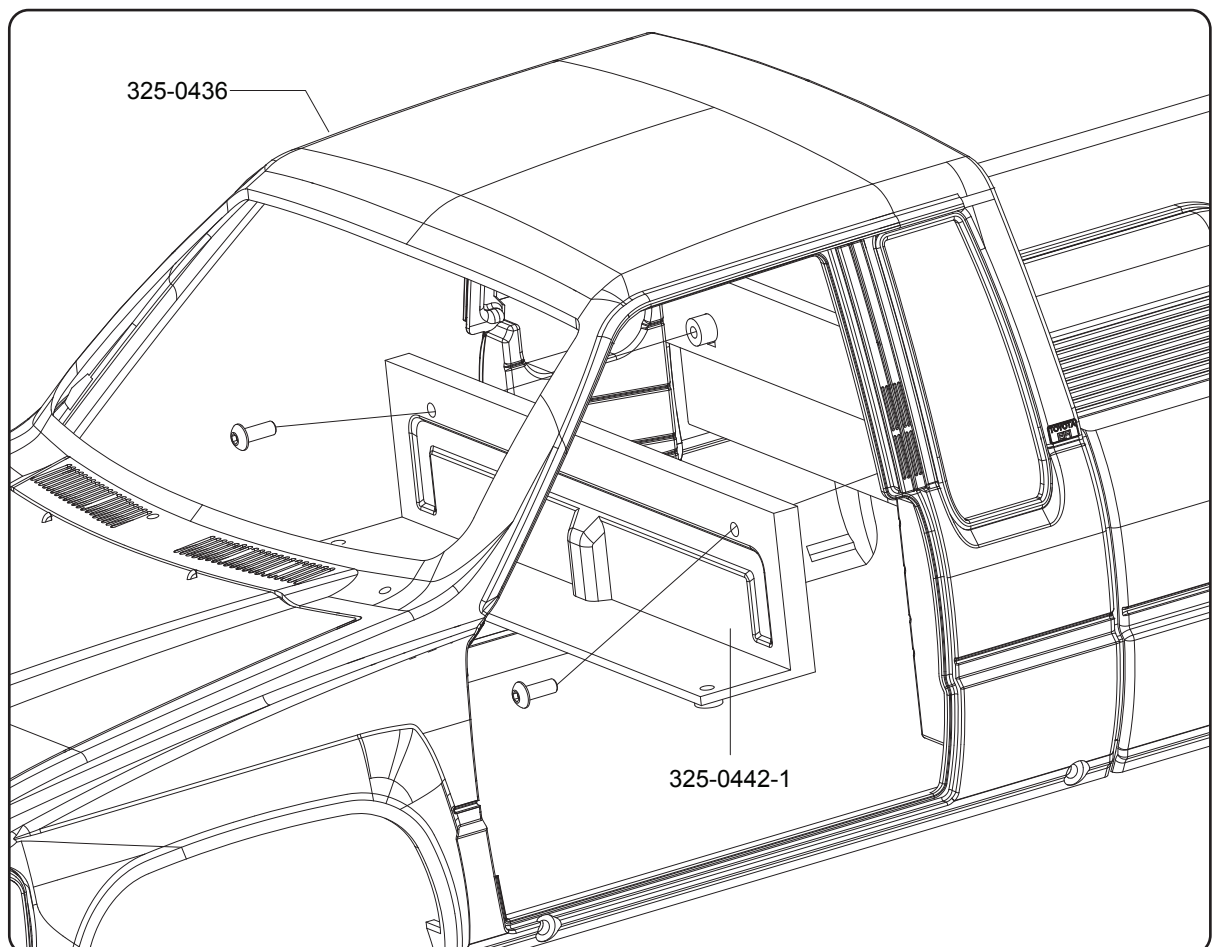
\*Use styrene solvent glue or foam safe super glue.



**RC4WD**

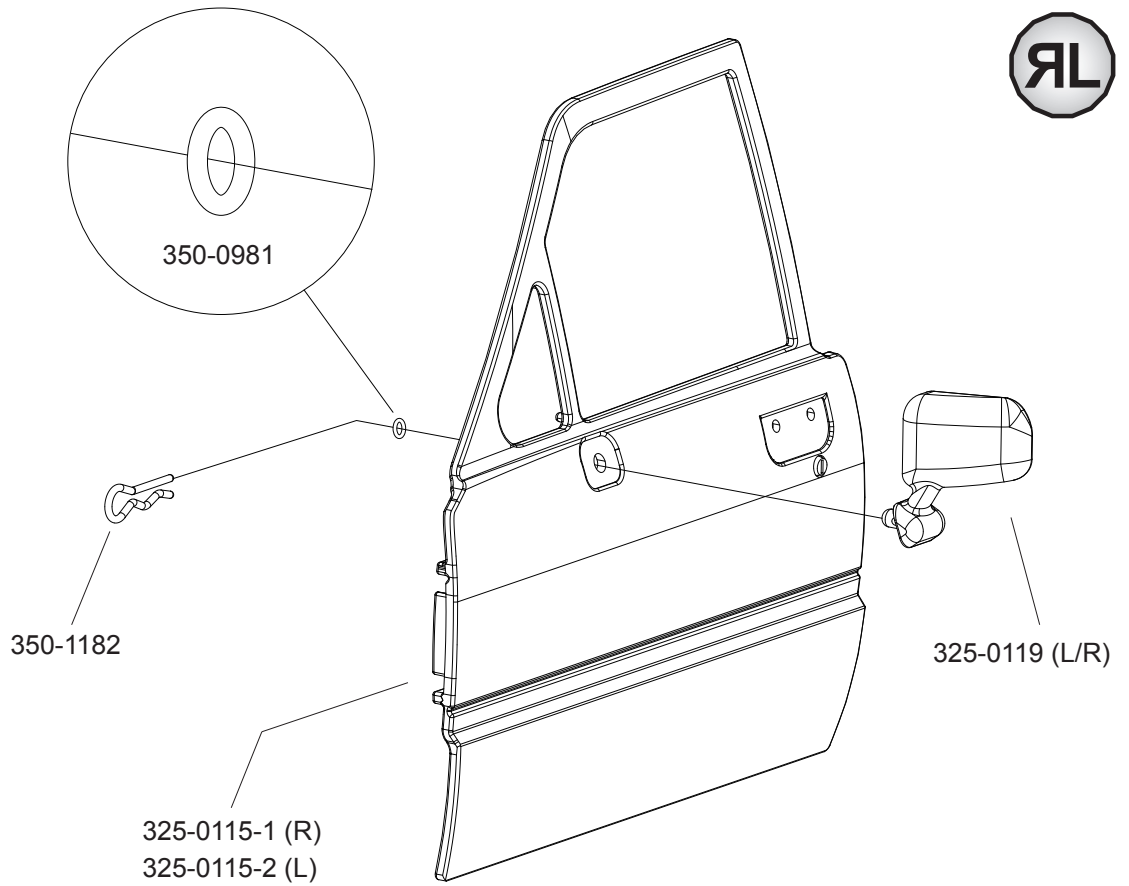
## Step 24

 X2  
150-0195  
M3 x 8mm  
Button Head  
Self Tapping Screws



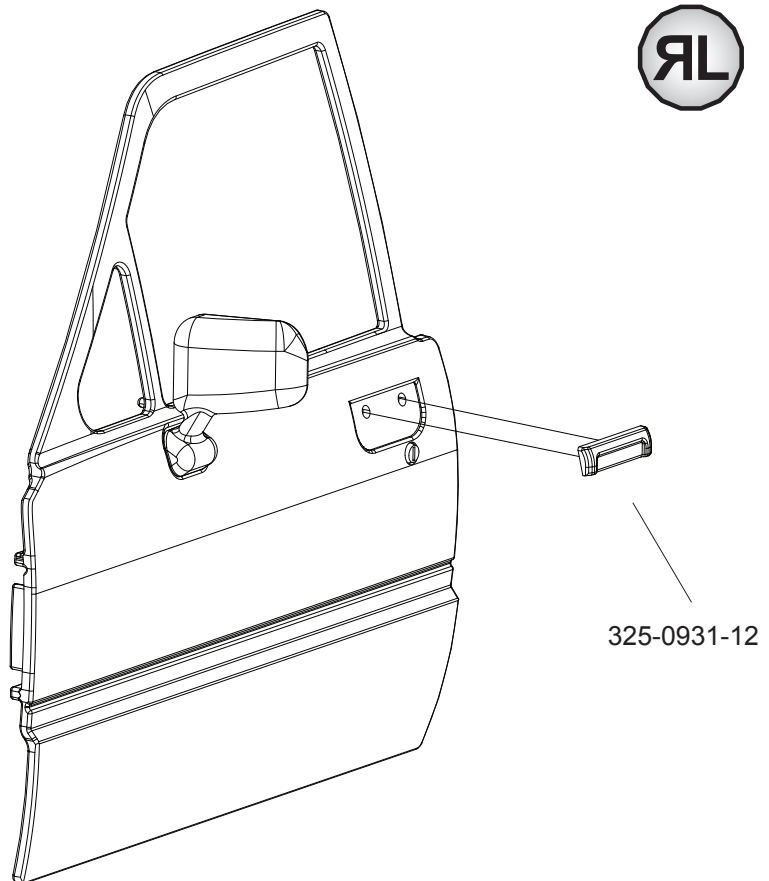
**RLWD**  
**Step 25**

\*Install Chrome  
Mirror Stickers  
101-0074.



**RLWD**  
**Step 26**

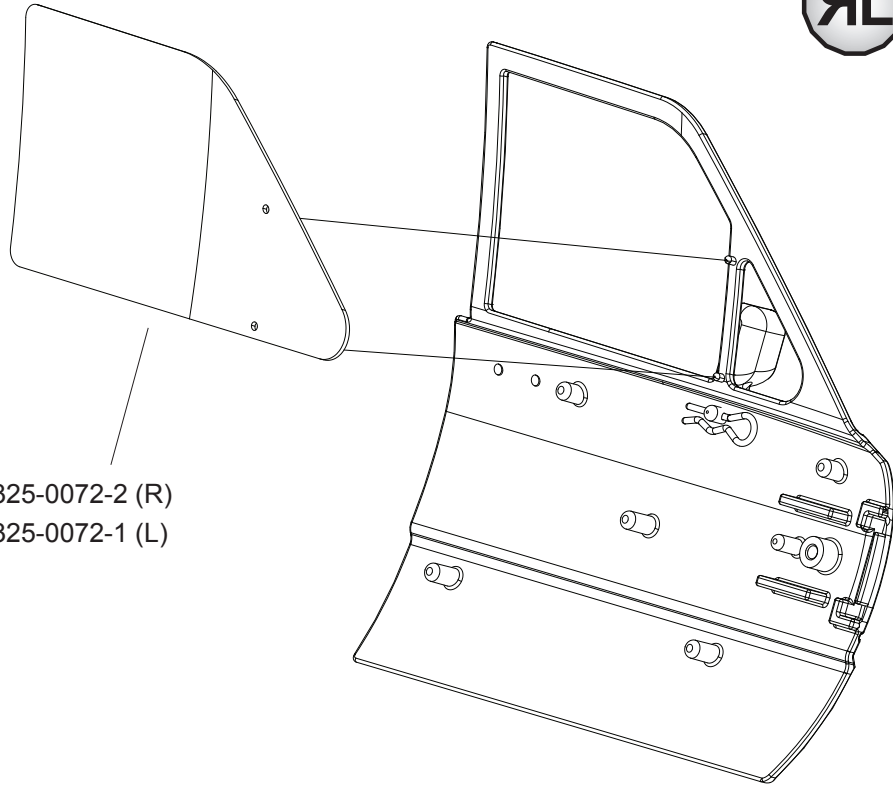
Use styrene solvent  
glue or foam safe  
super glue.



**R4WD**

## Step 27

\*Use styrene solvent glue or foam safe super glue.

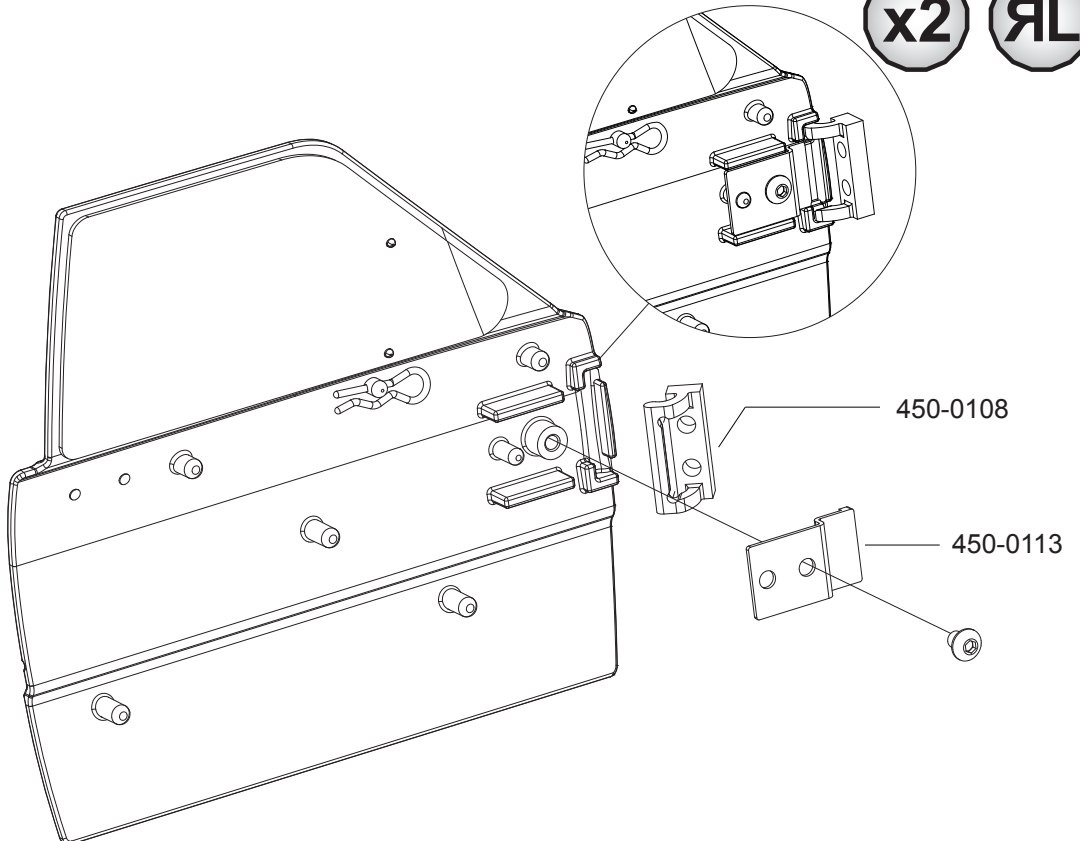


325-0072-2 (R)  
325-0072-1 (L)

**R4WD**

## Step 28

 X2  
150-0239  
M3 x 4mm  
Button ahead  
Self Tapping Screws

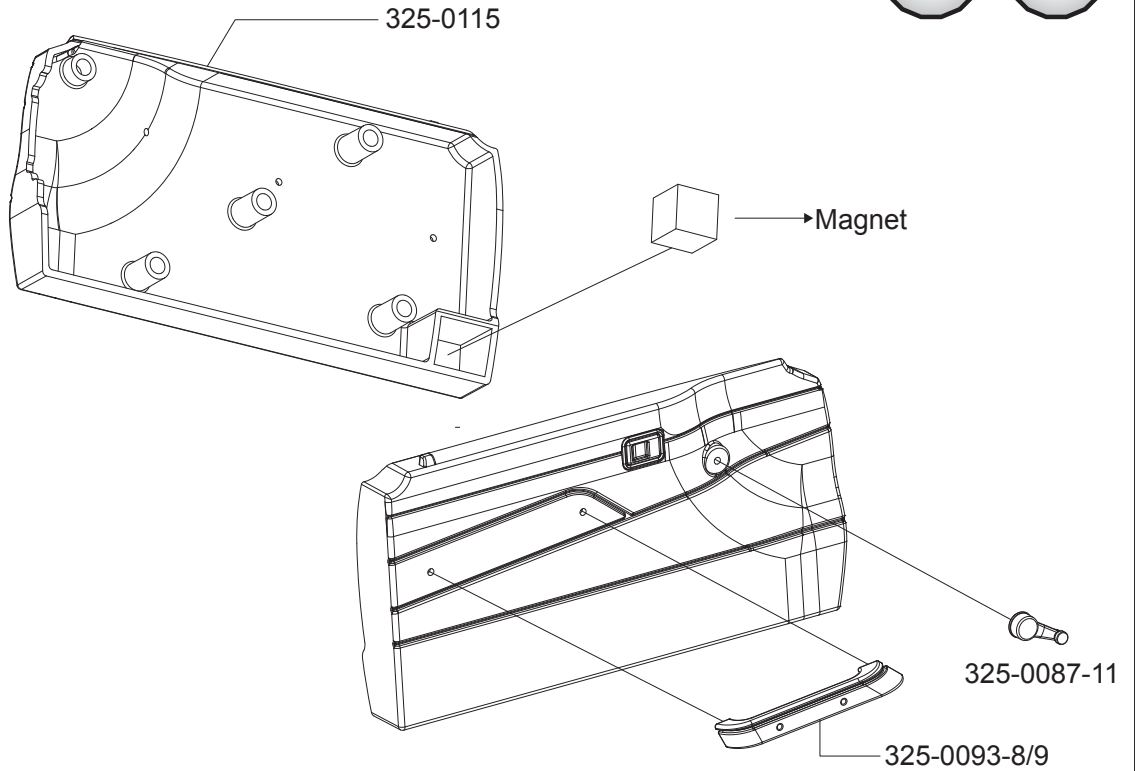


**R4WD**

## Step 29

\*Use styrene solvent glue or foam safe super glue for the door panel details.

Use shoe goo or E6000 for the magnet.

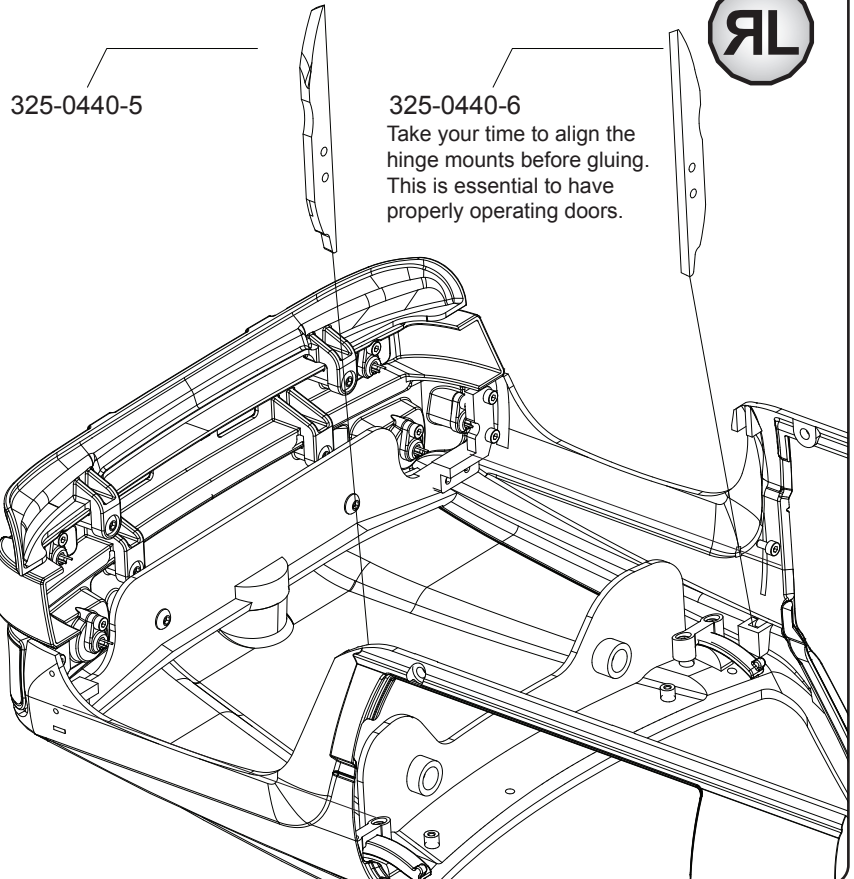


**R4WD**

## Step 30

\*Use 2 part epoxy or E6000 to glue the hinge mounts in place.

\*Do not glue until proper alignment is achieved in Step 32.

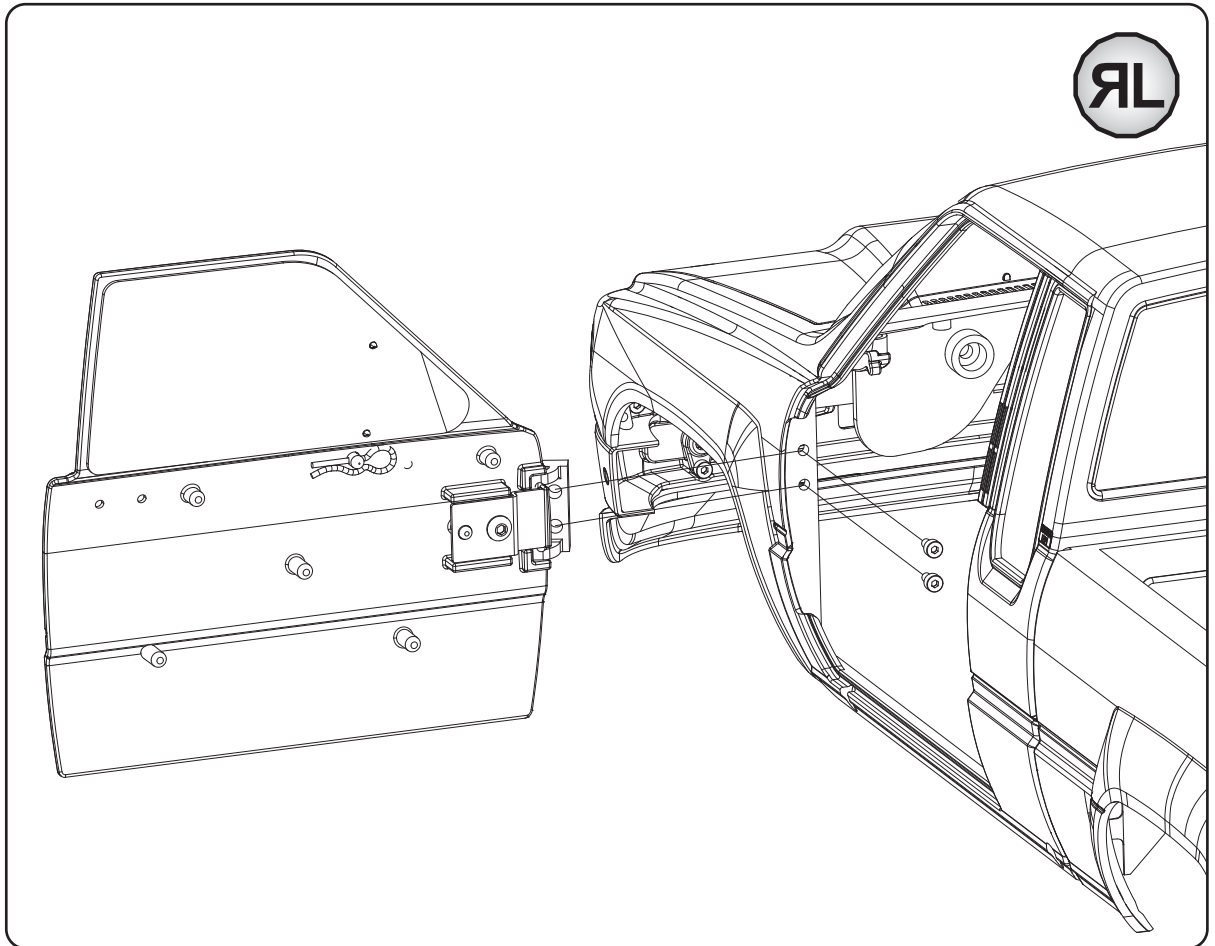


**R4WD**

## Step 31

 X4

150-0195  
M3 x 8mm  
Cross Head  
Self Tapping Screws



**R4WD**

## Step 32

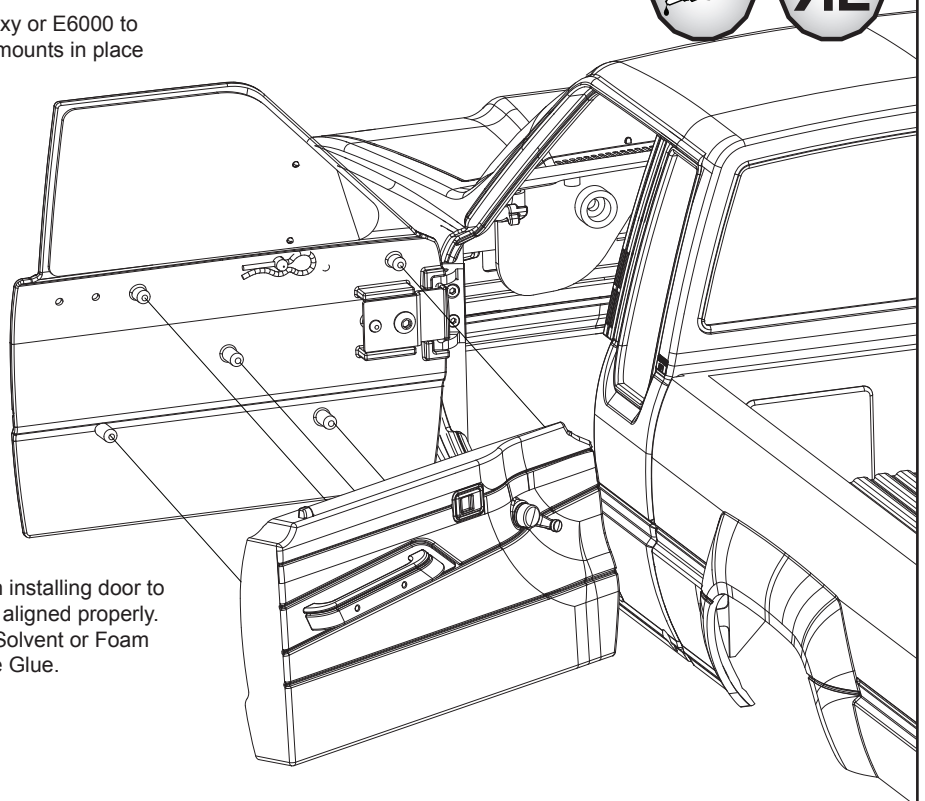
\*Recommend  
styrene solvent glue  
or Foam Safe Super  
Glue for the inner  
door panels.

\*Assure doors are properly aligned and glue piece from Step 30 in place.

Use 2 part epoxy or E6000 to  
glue the hinge mounts in place



Take care when installing door to  
make sure it is aligned properly.  
Use Styrene Solvent or Foam  
Safe Glue.



**R4WD**

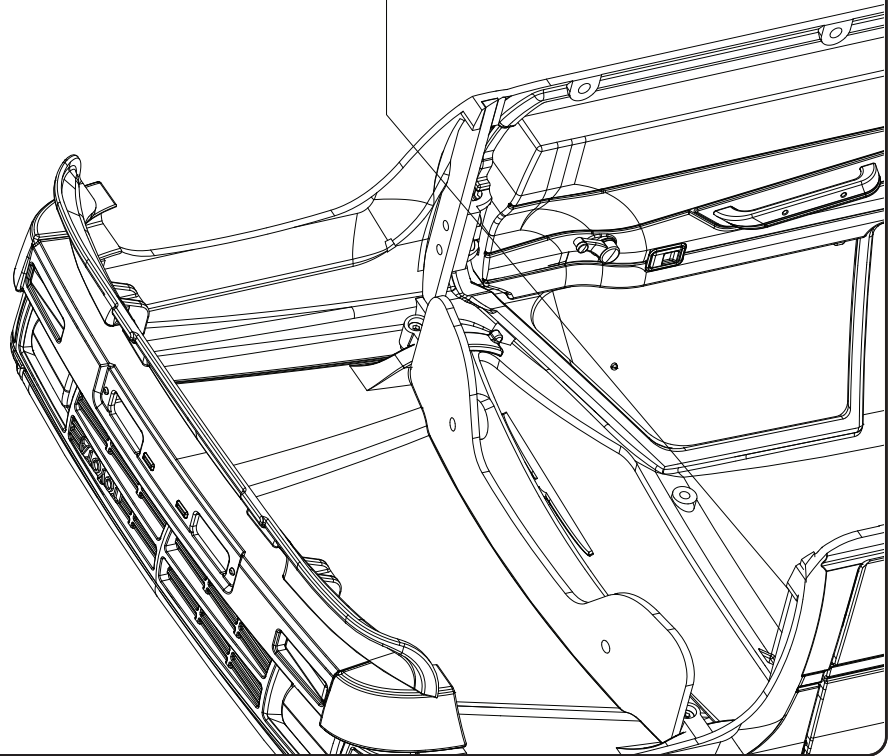
## Step 33

\*Use styrene solvent glue or foam safe super glue.

\*Install Chrome Mirror Stickers 101-0074.


325-0087-3

\*Install mirror sticker before gluing in place.



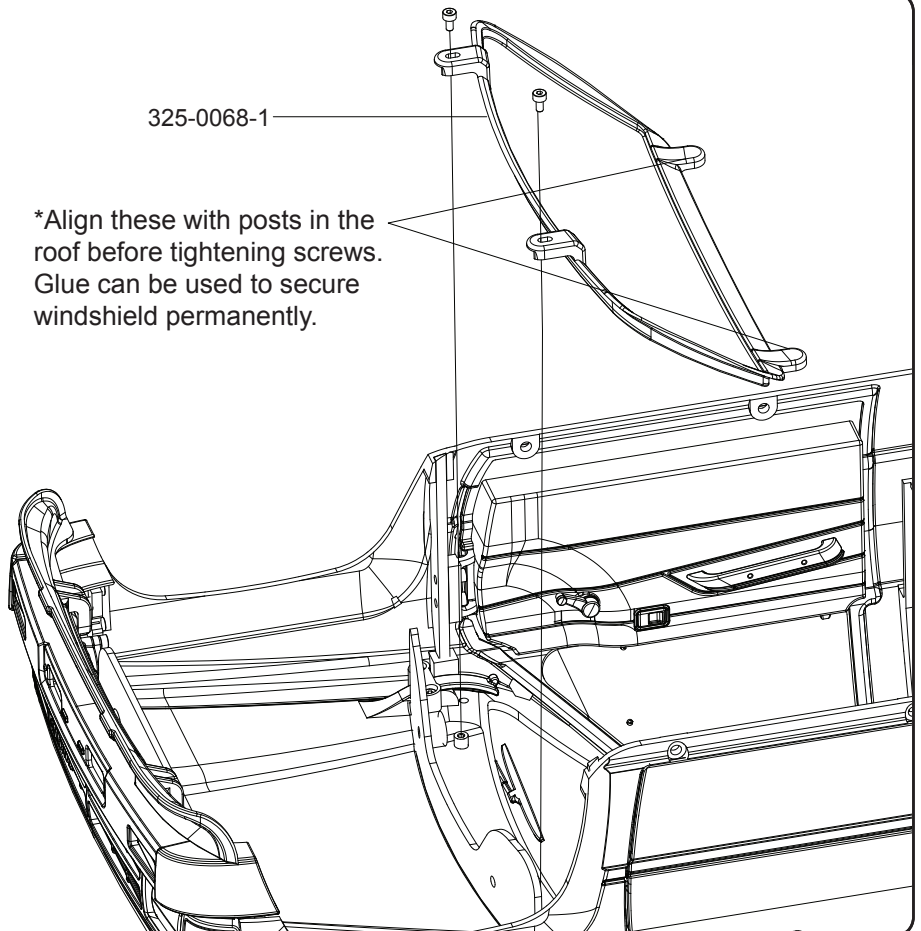
**R4WD**

## Step 34

 X2  
150-0002  
M2 x 4mm SHCS

325-0068-1

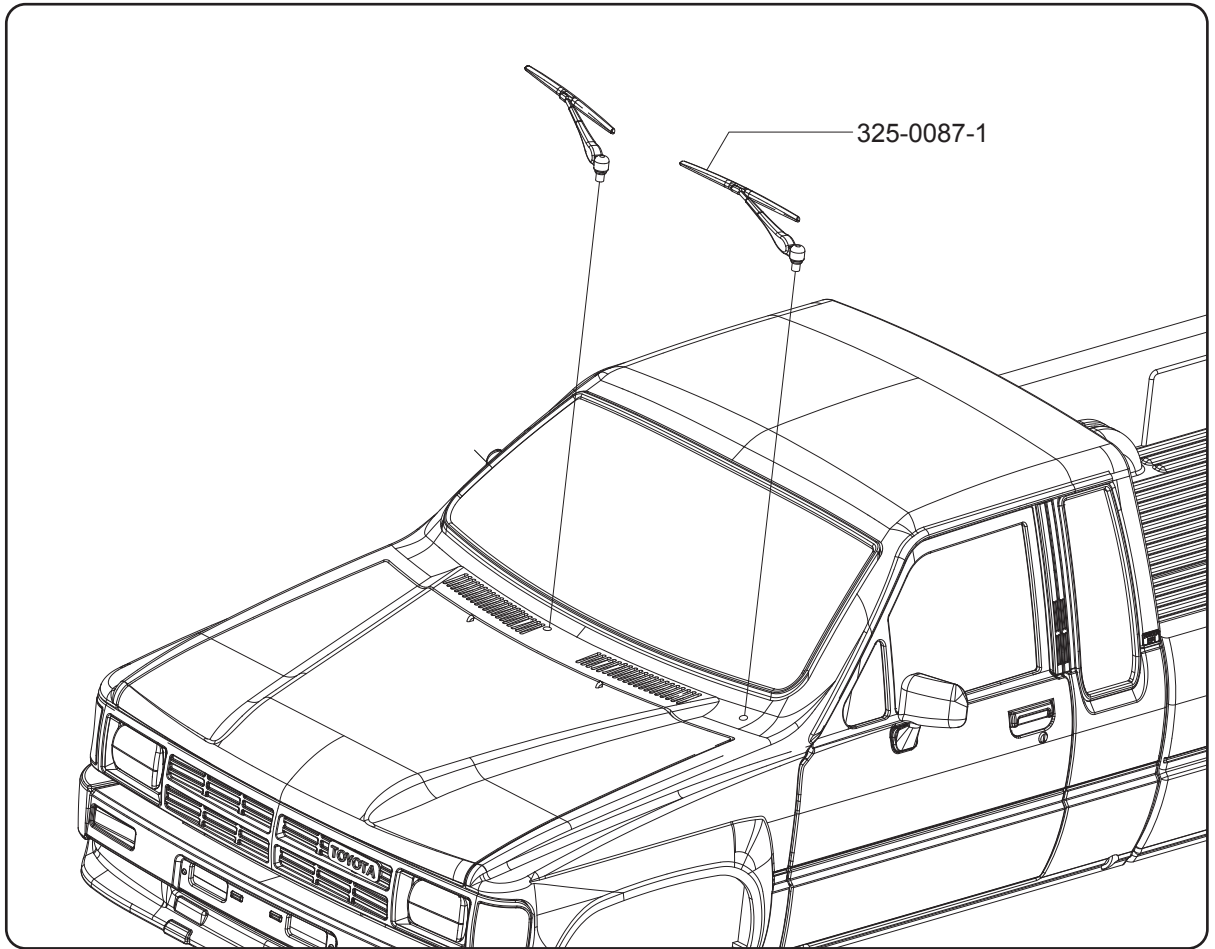
\*Align these with posts in the roof before tightening screws.  
Glue can be used to secure windshield permanently.



**R4WD**

**Step 35**

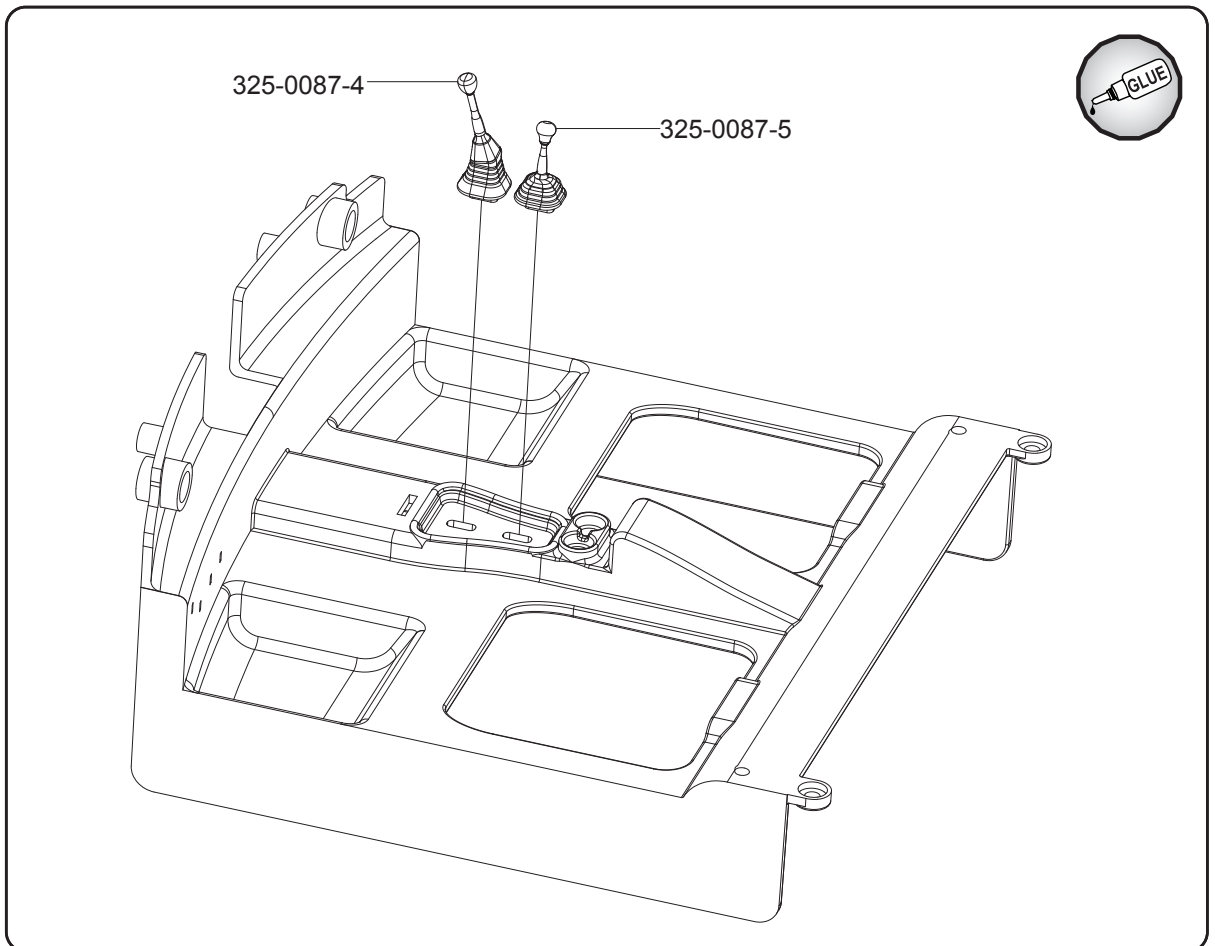
\*Use styrene solvent glue or foam safe super glue.



**R4WD**

**Step 36**

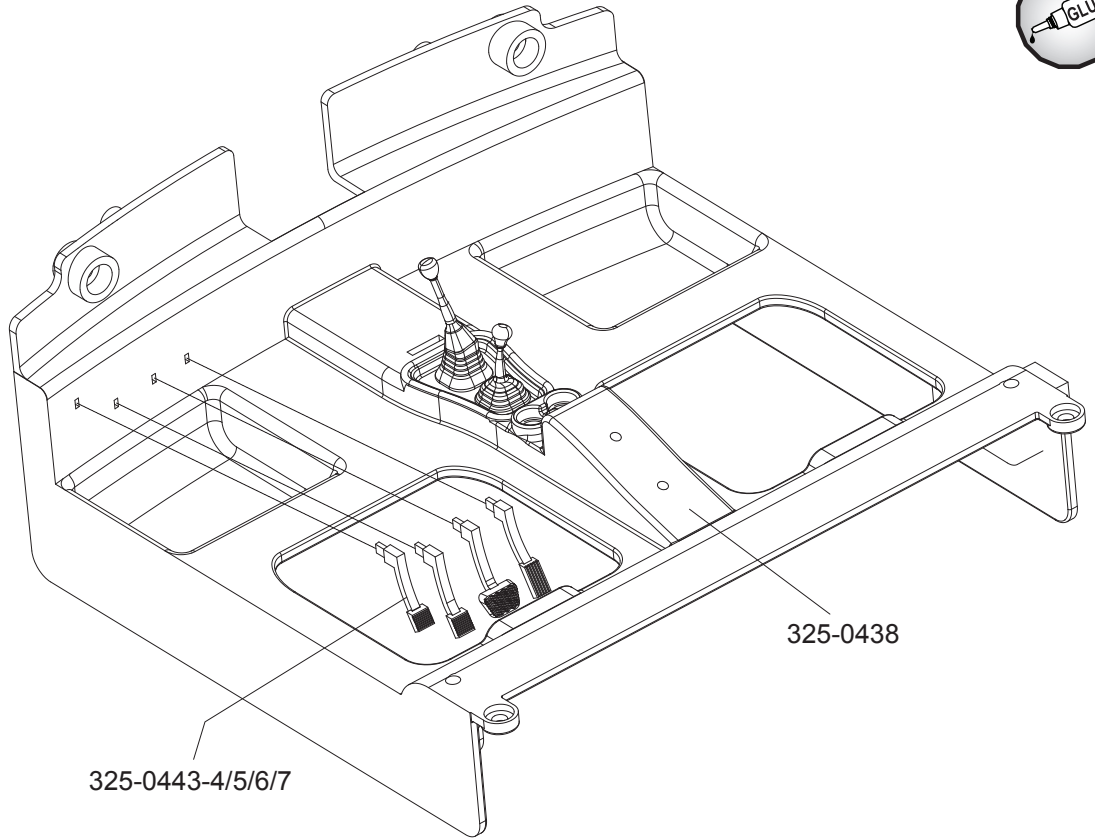
\*Use styrene solvent glue or foam safe super glue.



**R4WD**

## Step 37

\*Use styrene solvent glue or foam safe super glue.

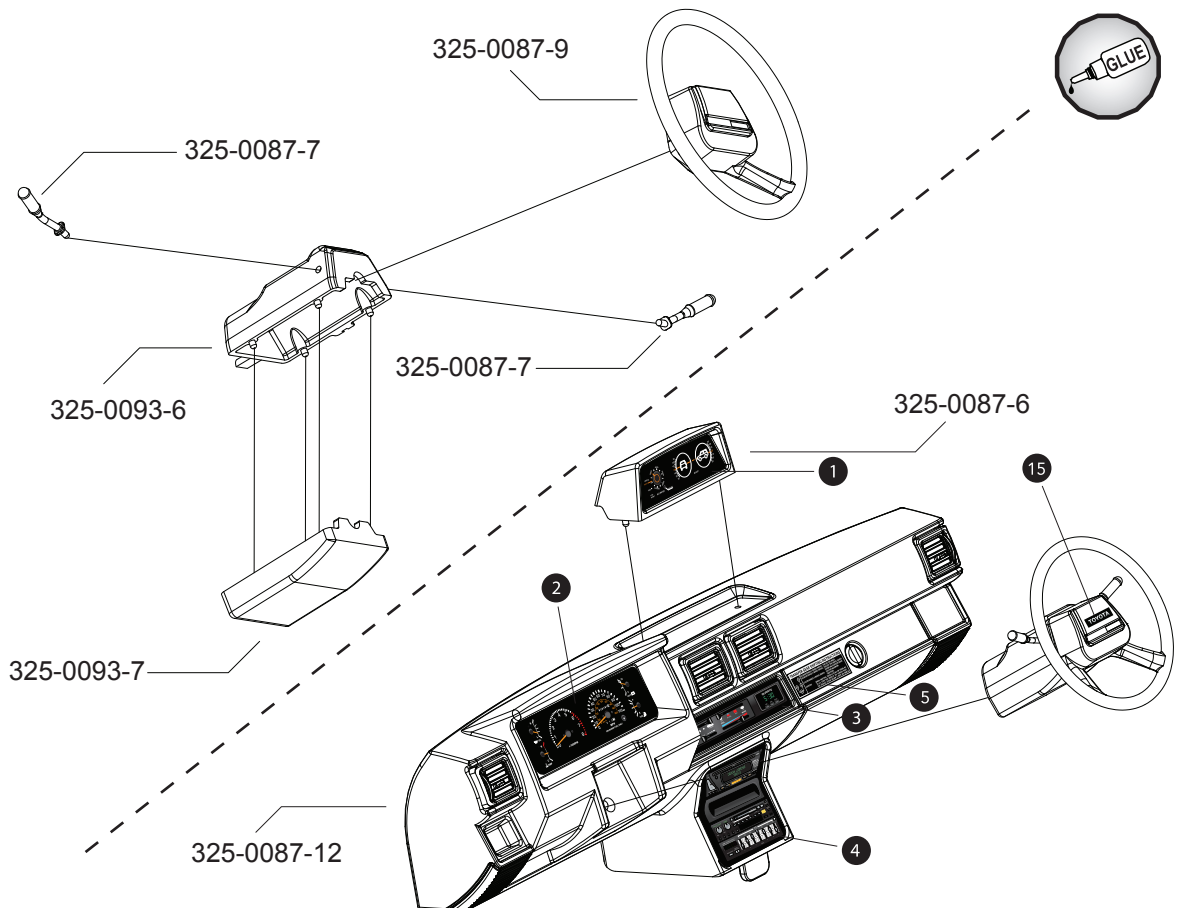


**R4WD**

## Step 38

\*Use styrene solvent glue or foam safe super glue.

\*Note installation of dashboard stickers

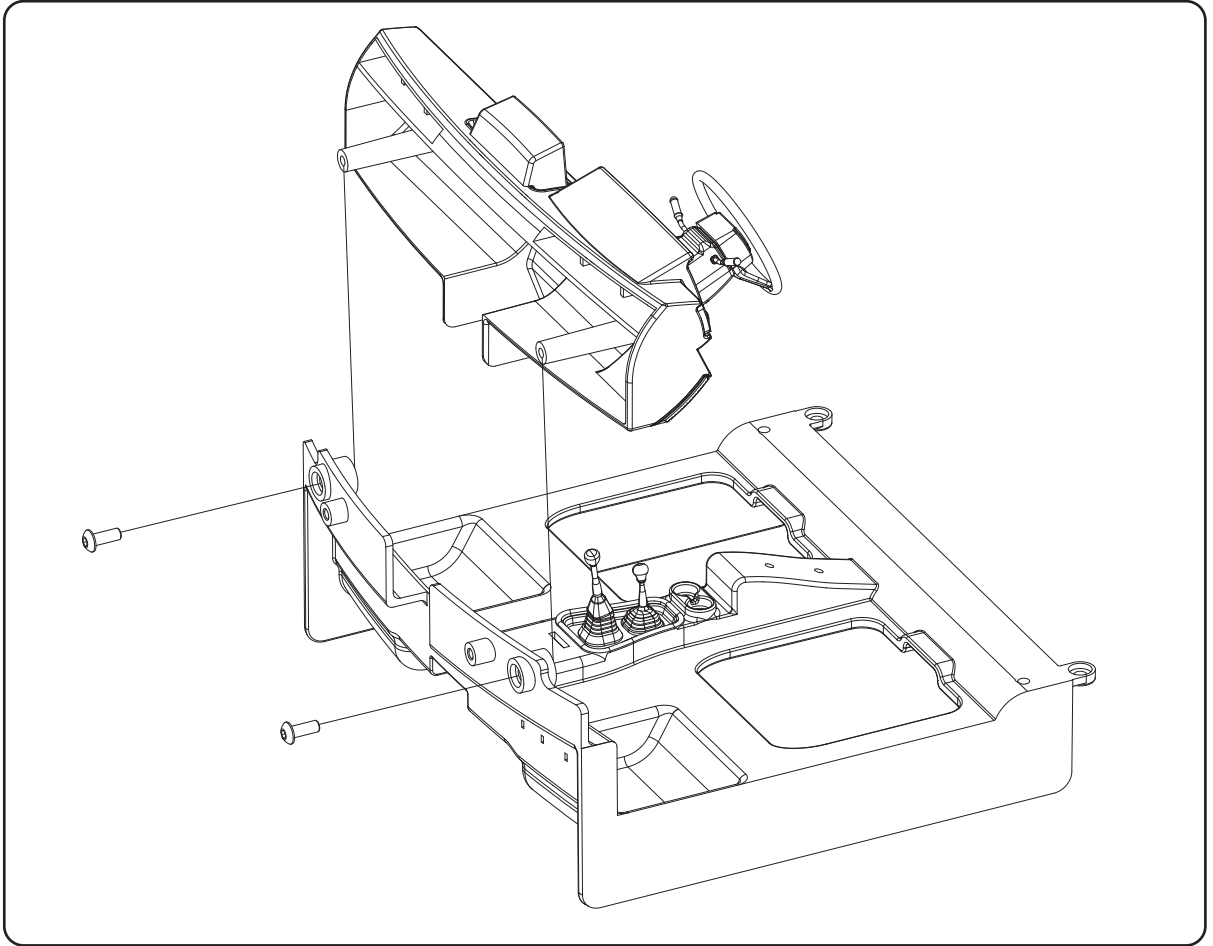




**R4WD**


## Step 39

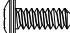
 X2  
150-0195  
M3 x 8mm  
Cross Head  
Self Tapping Screws

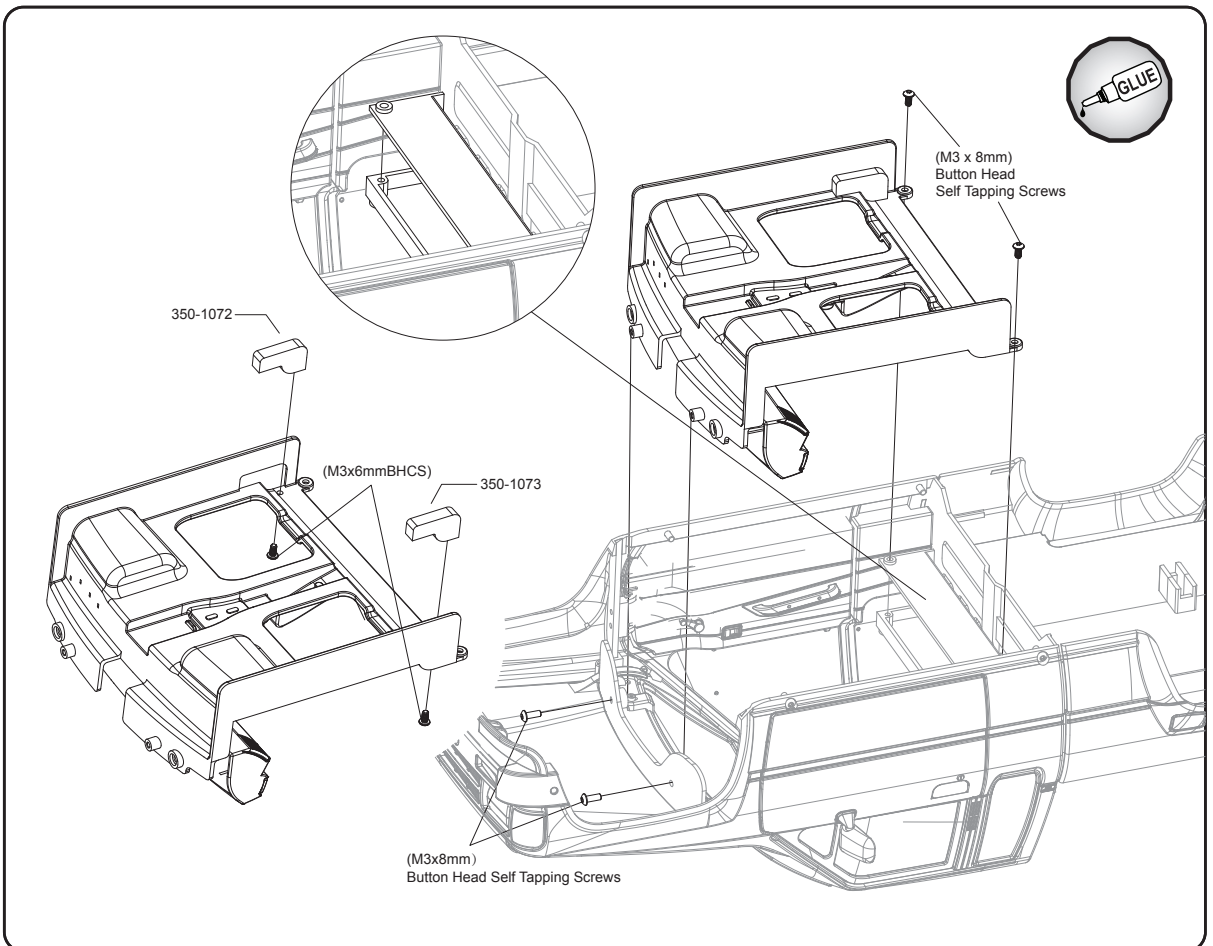


**R4WD**

## Step 40

 X2  
150-0061  
M3 x 6mm BHCS

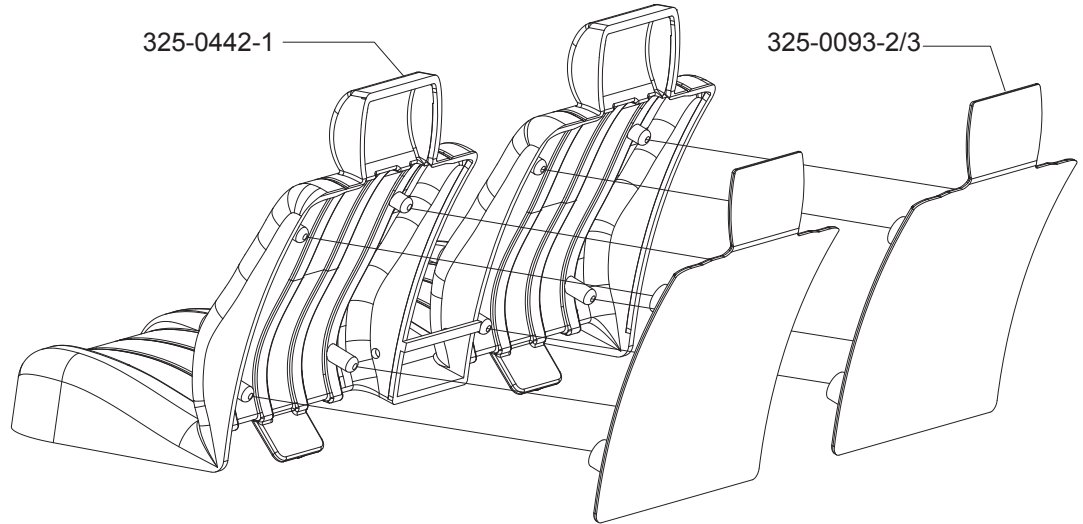
 X4  
150-0195  
M3 x 8mm  
Button Head  
Self Tapping Screws



**R4WD**

## Step 41

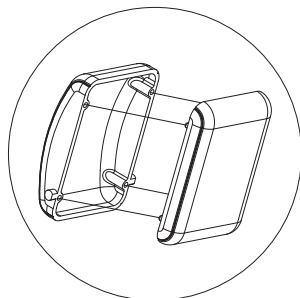
\*Use styrene solvent glue or foam safe super glue.



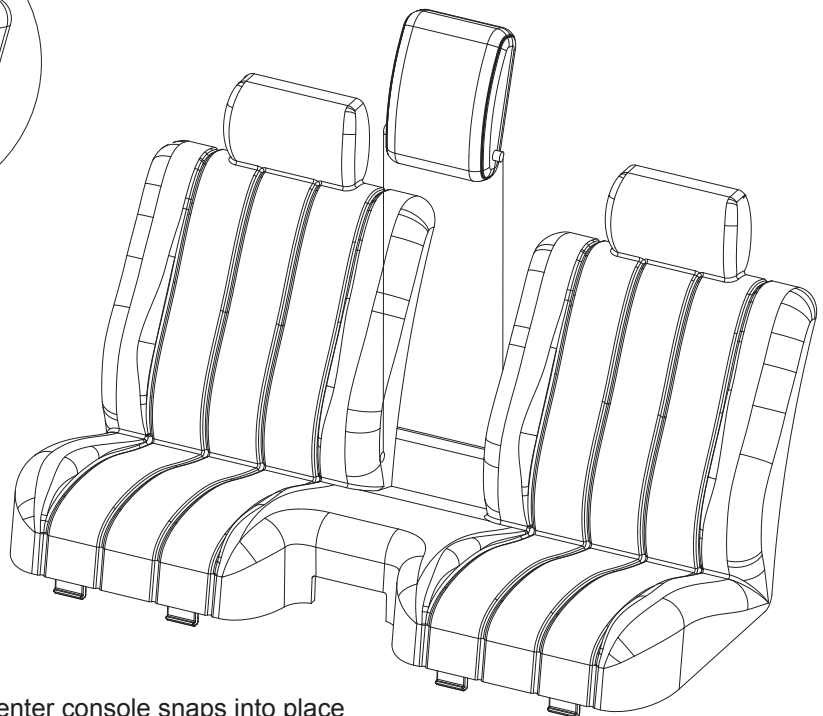
**R4WD**

## Step 42

\*Use styrene solvent glue or foam safe super glue.



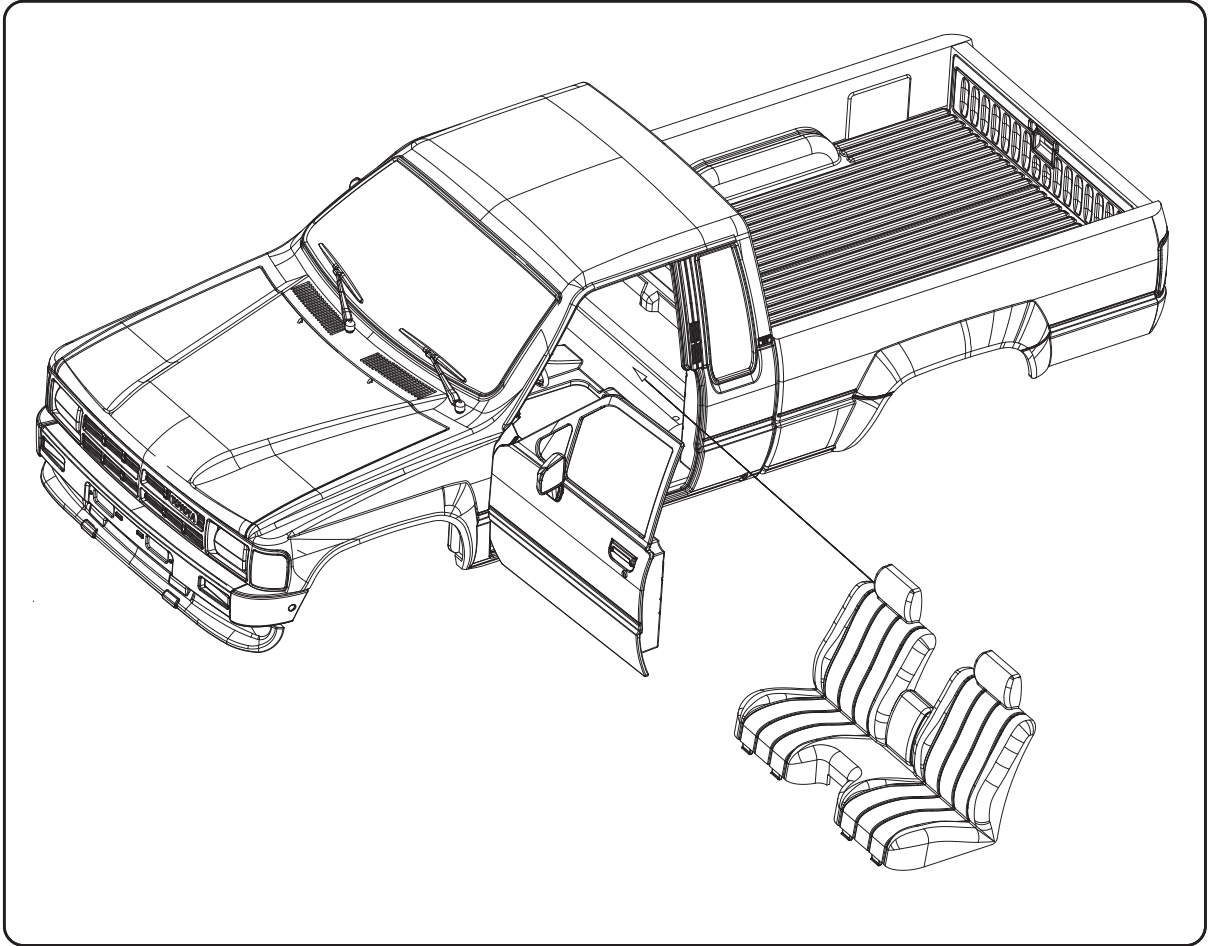
325-0443-1/2



Center console snaps into place

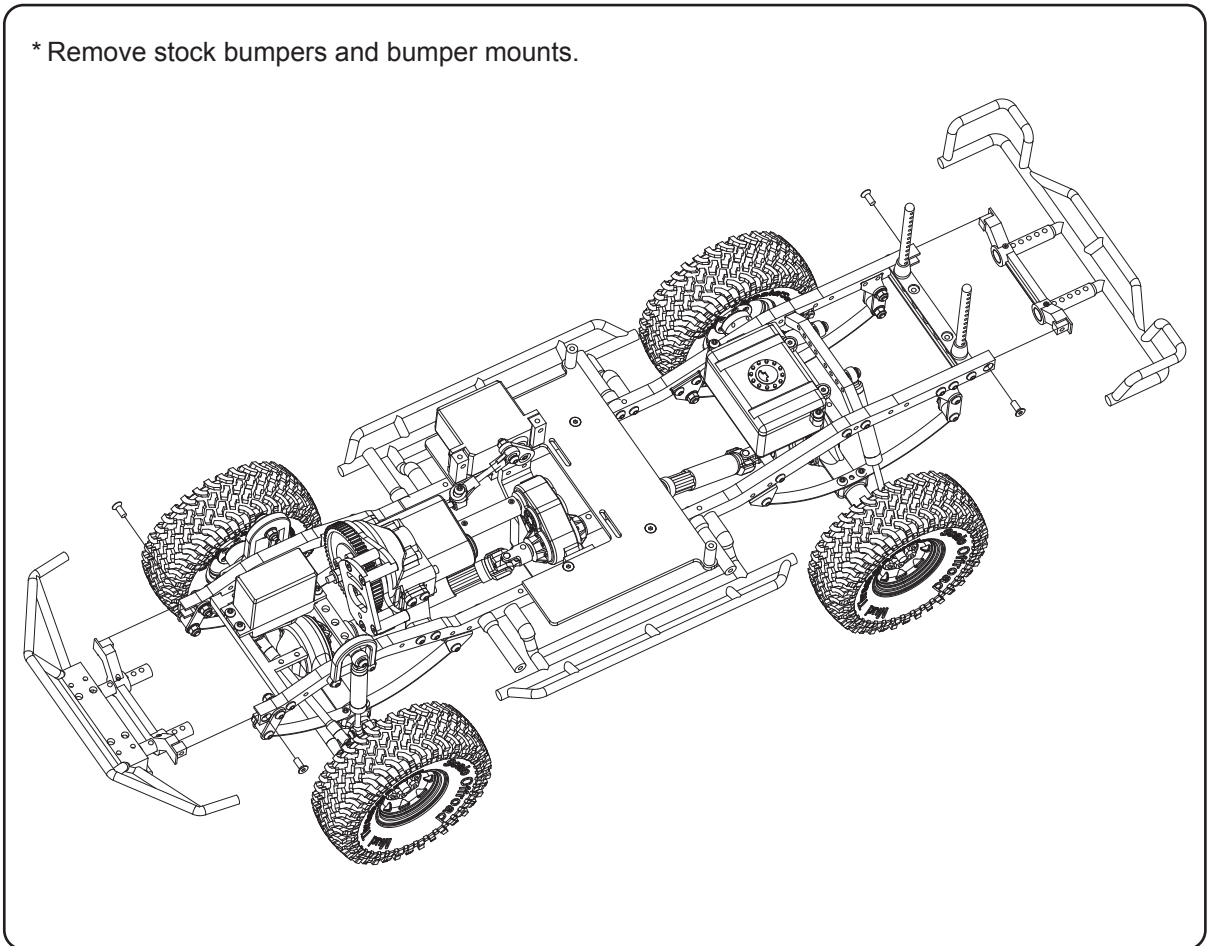
**R4WD**  
**Step 43**

Seats snap into place.



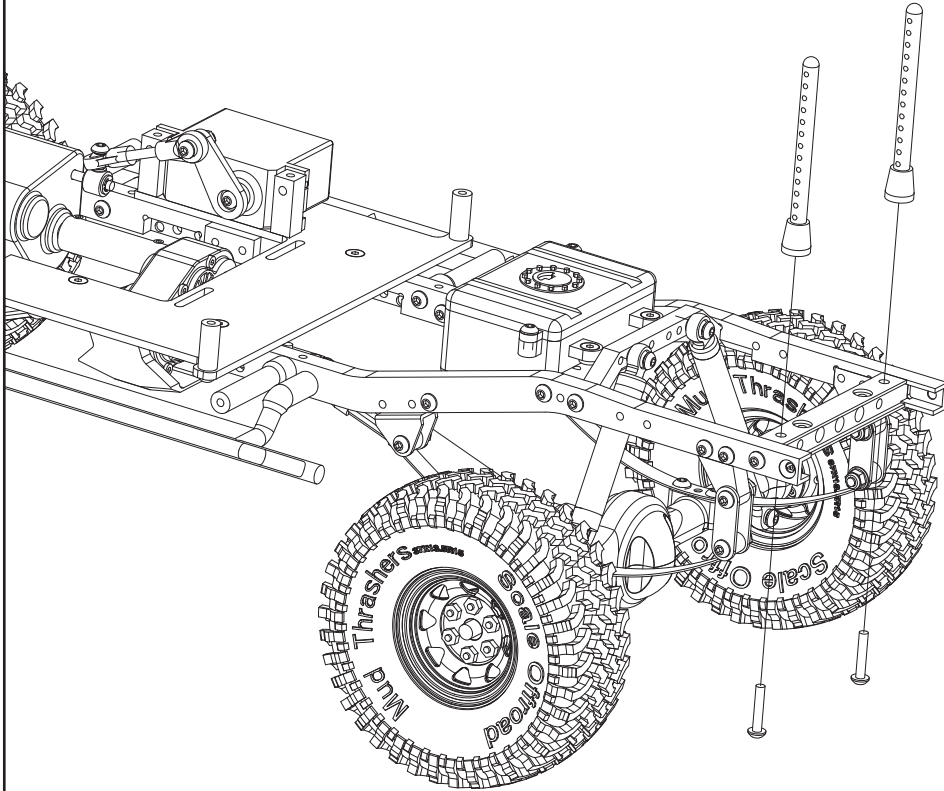
**R4WD**  
**Step 44**

\* Remove stock bumpers and bumper mounts.



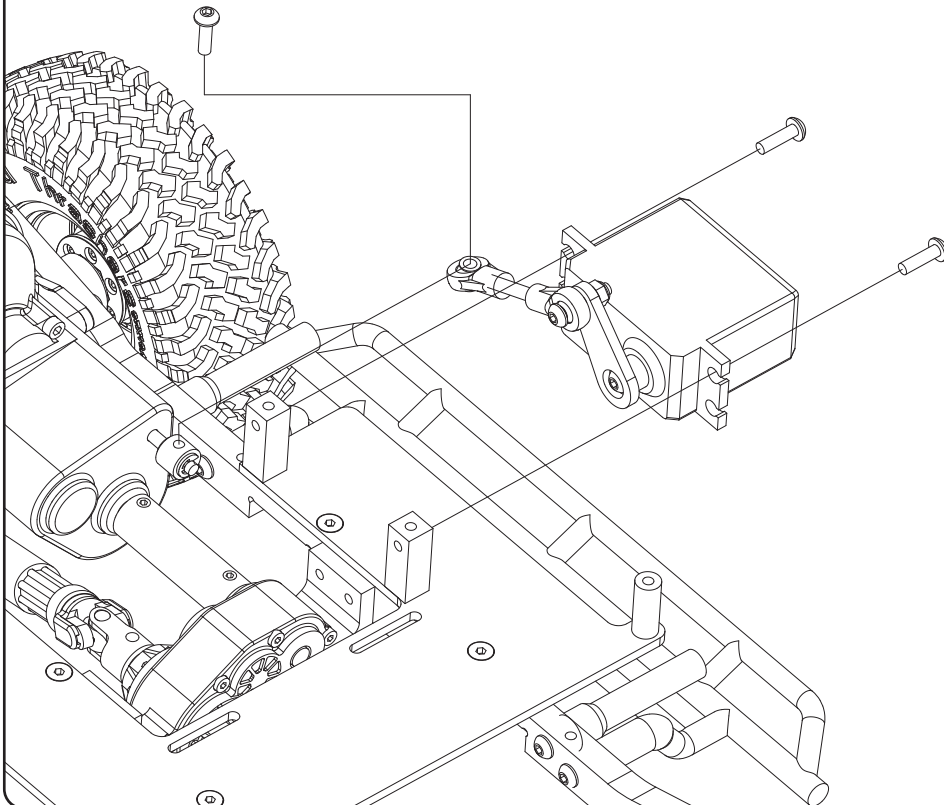
**R4WD**  
**Step 45**

\* Remove.



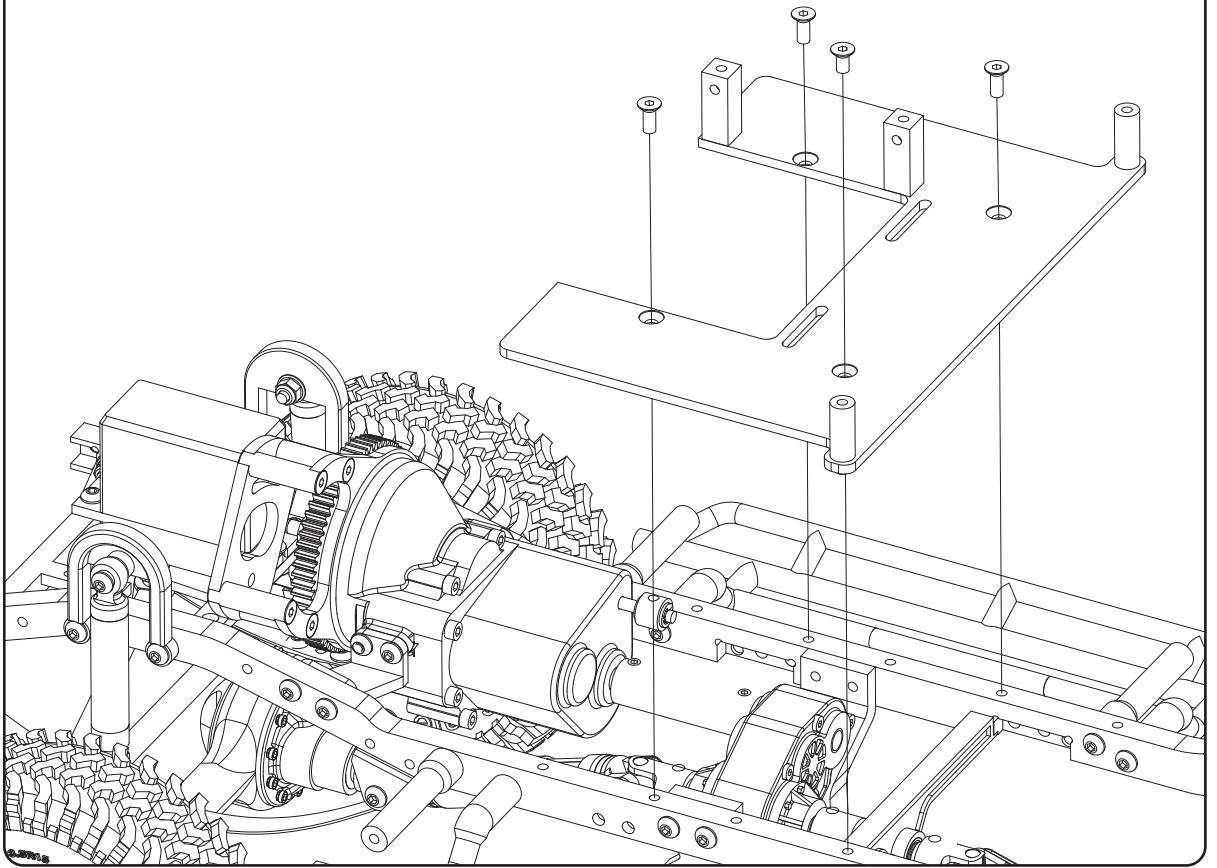
**R4WD**  
**Step 46**

\* Remove.

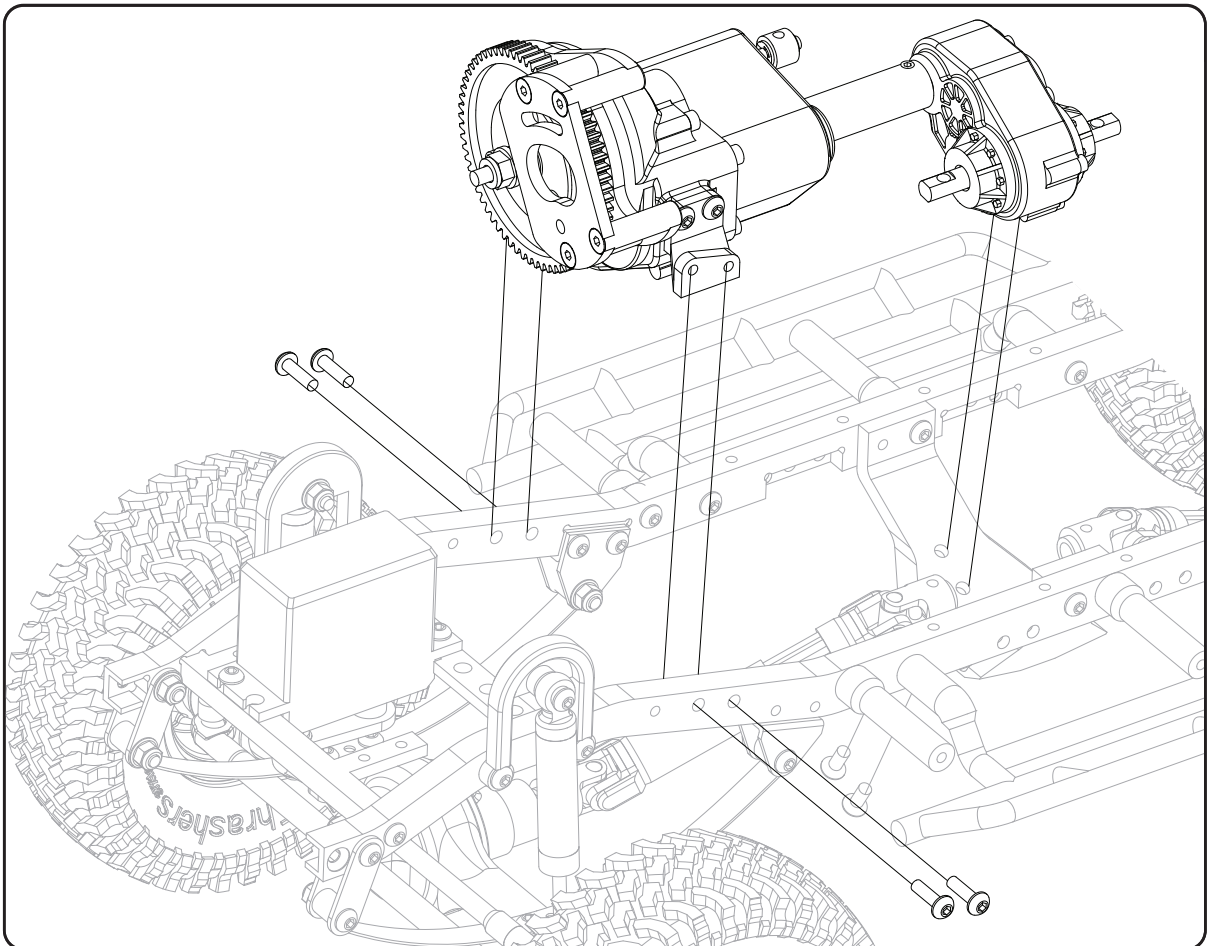


**R4WD**  
**Step 47**

\* Remove.

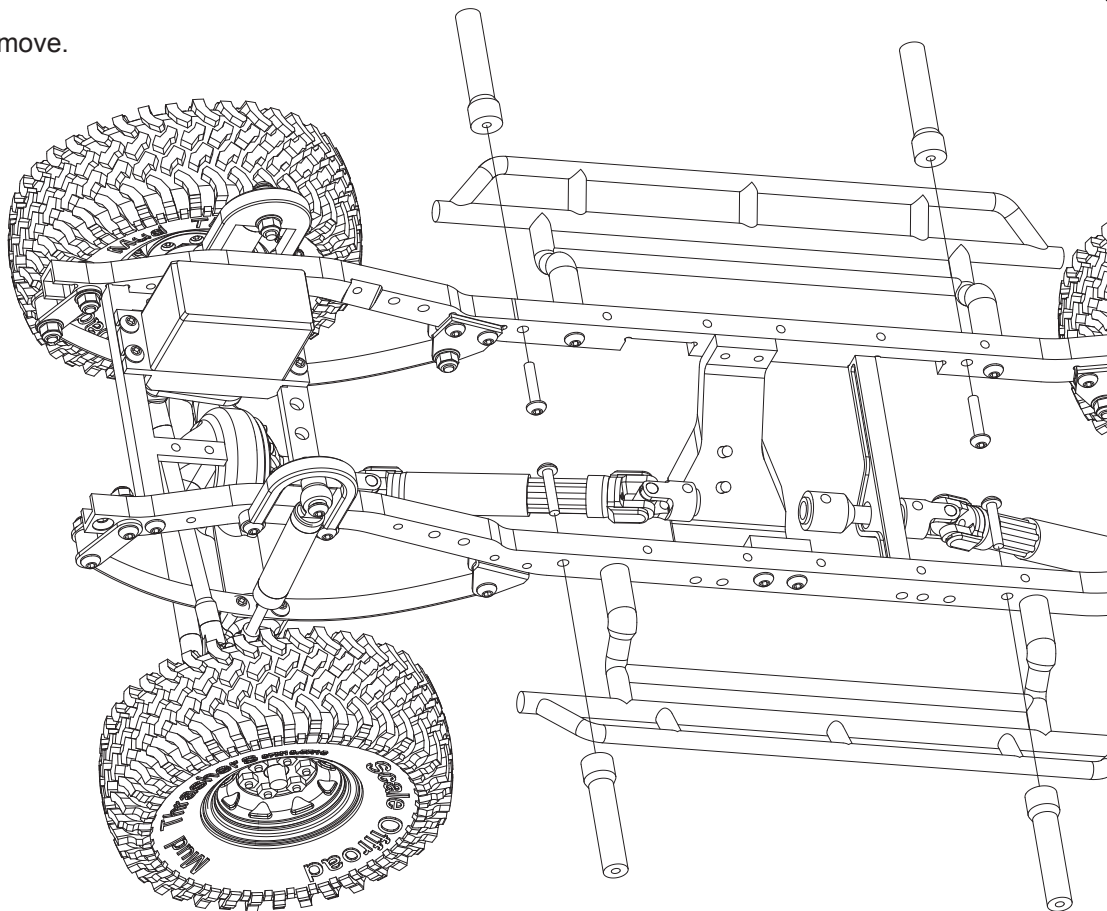


**R4WD**  
**Step 48**




**R4WD**  
**Step 49**

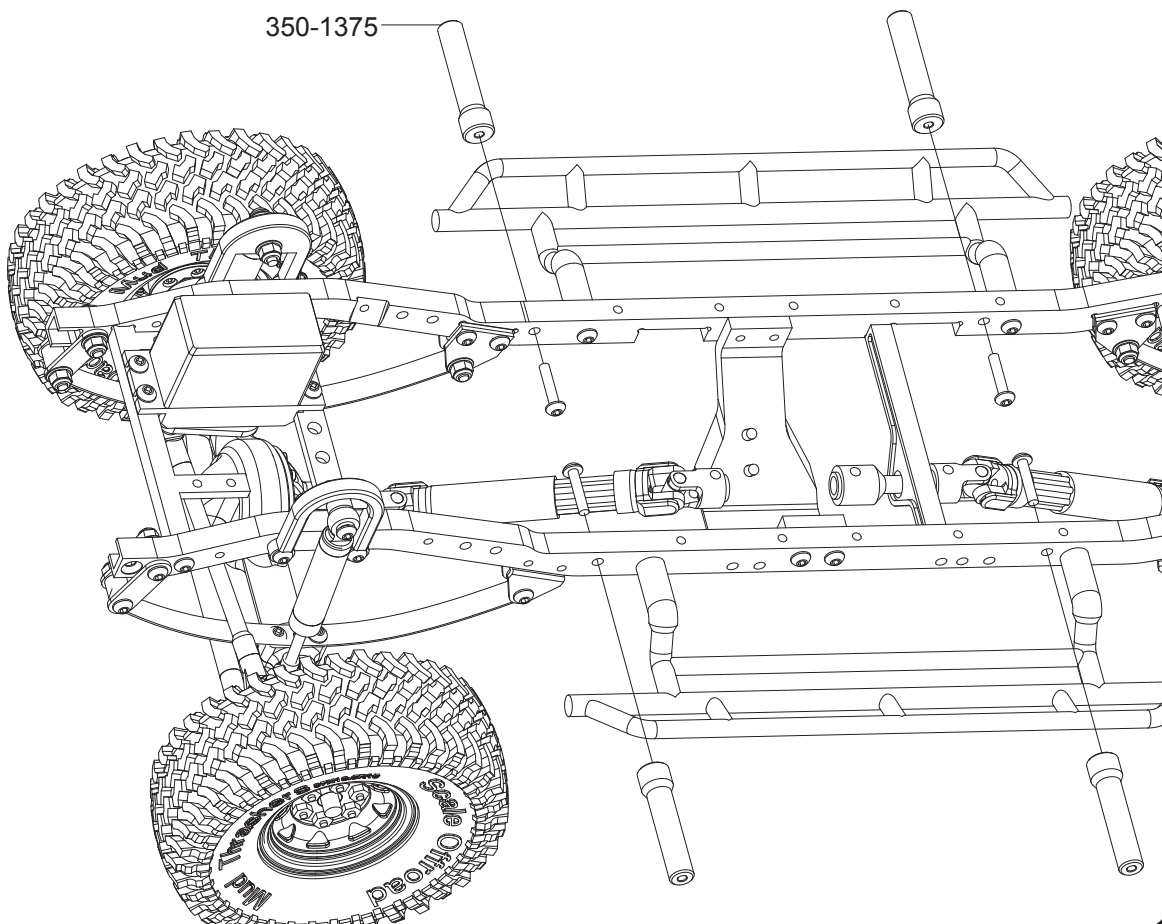
\* Remove.



**R4WD**  
**Step 50**

 X4  
150-0064  
M3 x 12mm BHCS

350-1375



**R4WD**

## Step 51



X2

150-0099

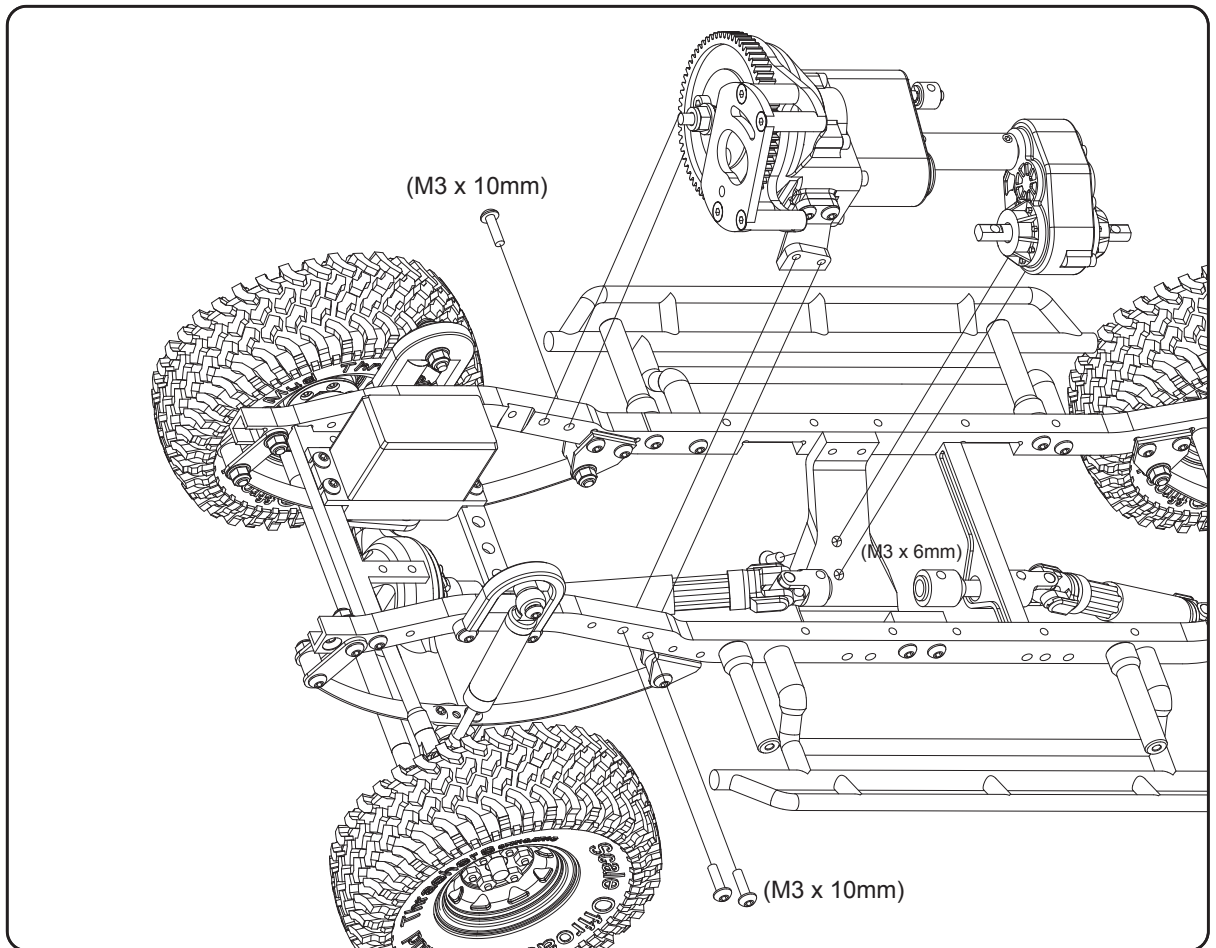
M3 x 6mm FHCS



X3

150-0196

M3 x 10mm BHCS



**R4WD**

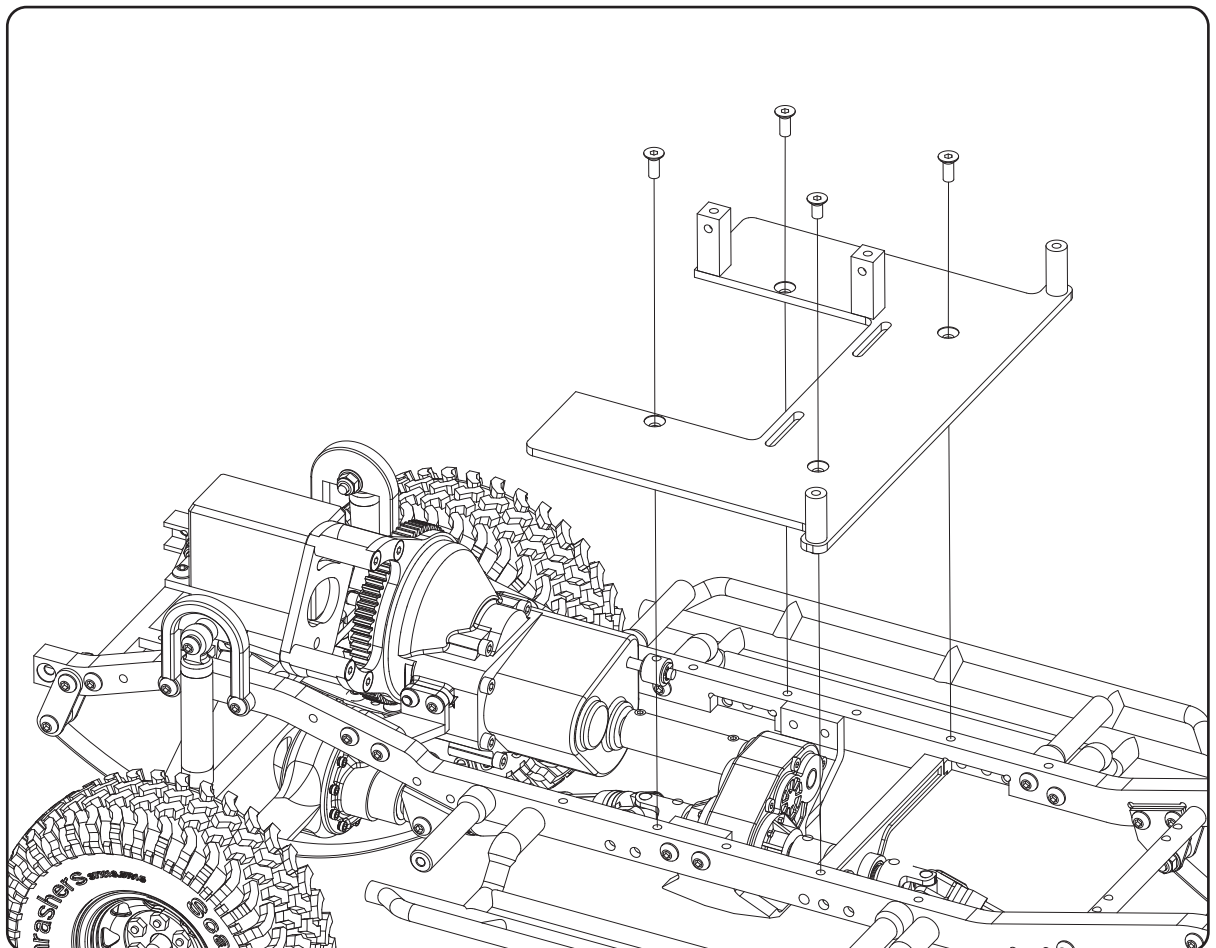
## Step 52



X4


150-0099

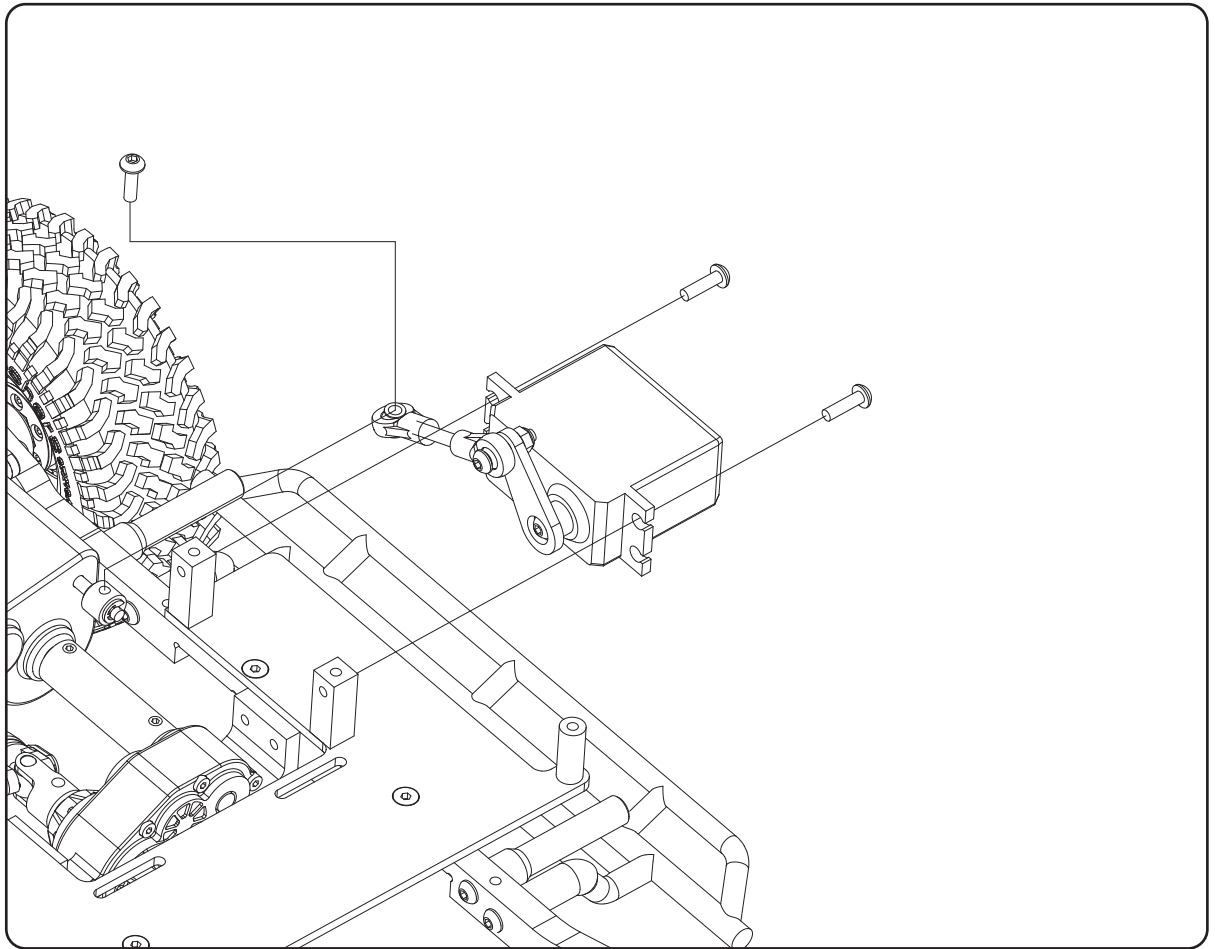
M3 x 6mm FHCS



**R4WD**

**Step 53**

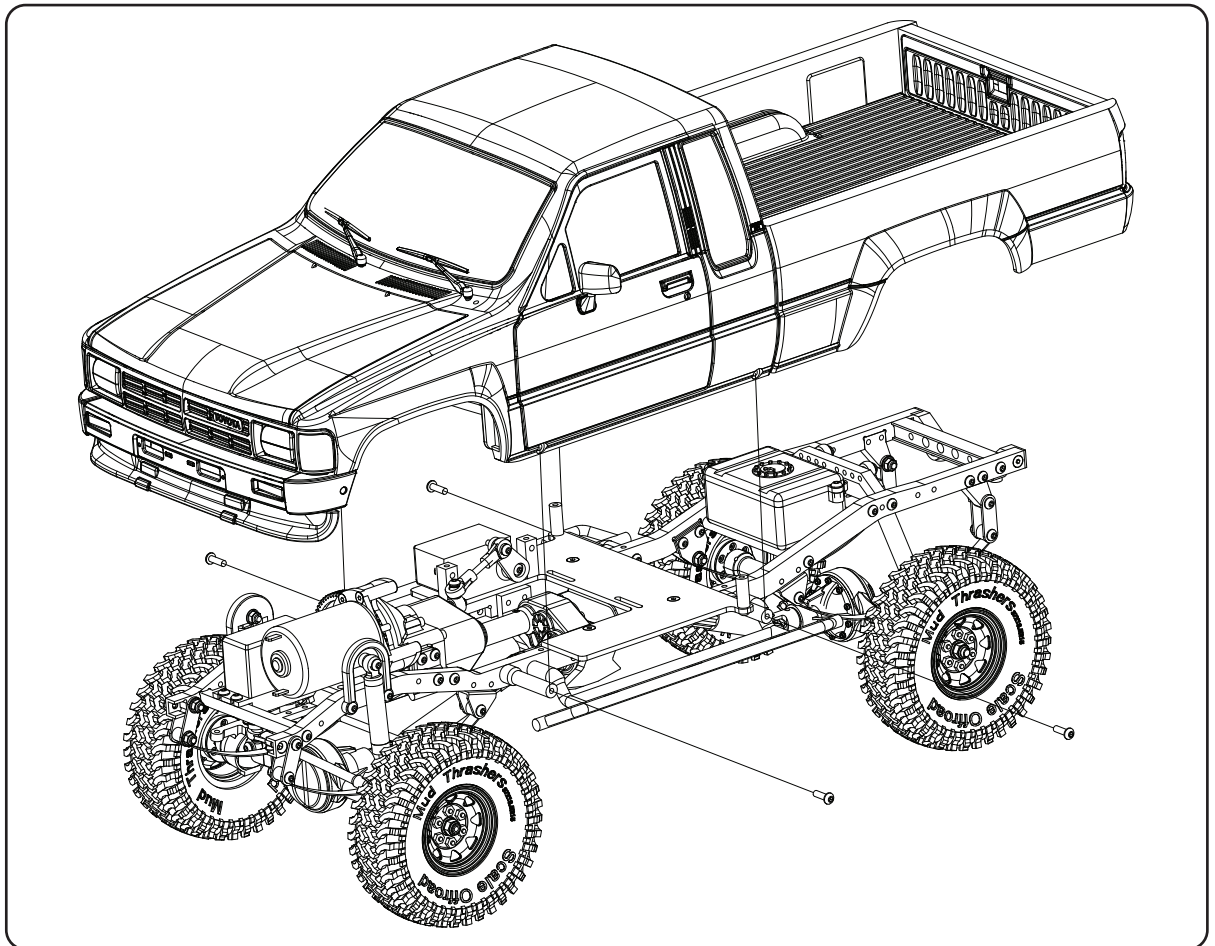
 X3  
150-0196  
M3 x 10mm BHCS



**R4WD**

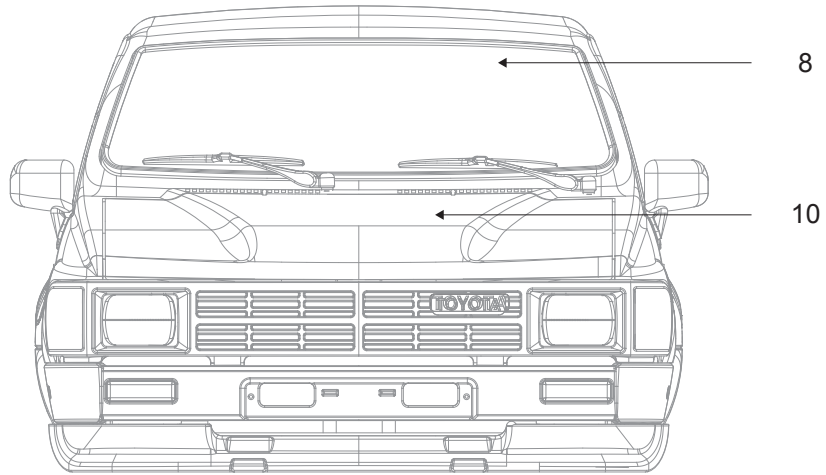
**Step 54**

 X4  
150-0195  
M3 x 8mm  
Button Head  
Self Tapping Screws

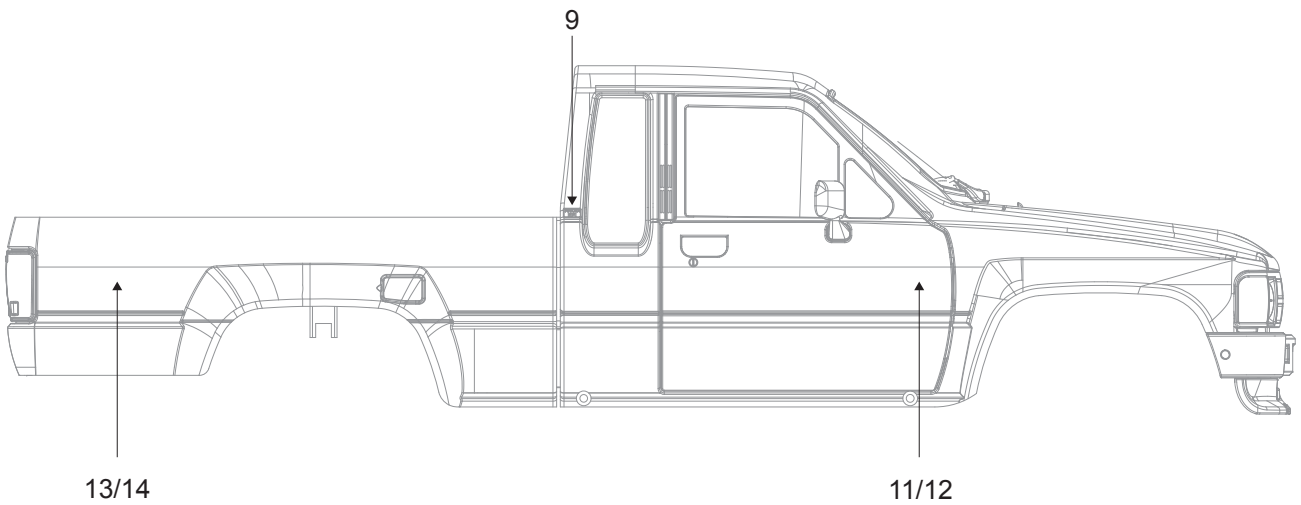
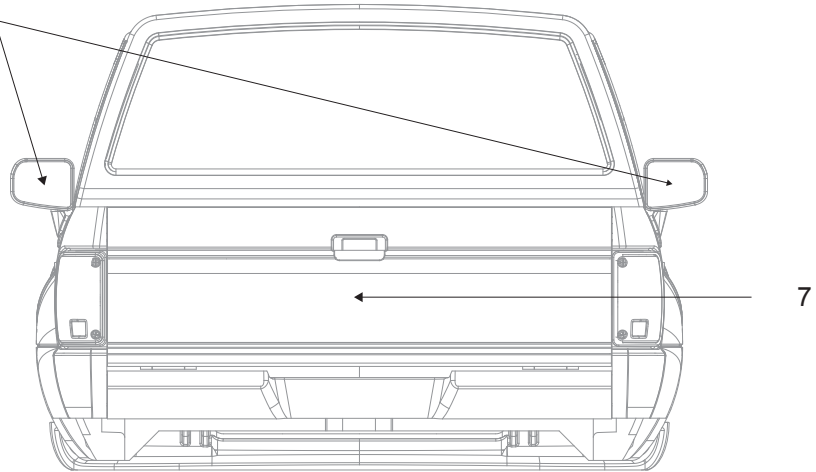




# How to Install Body Decals



Chrome  
Mirror Decals  
100-0074



\* Can use stickers in place of metal emblem

Certain decal sheets are supplied with multiple styles, giving you the option to choose whichever best fits your personal style! Many of the decals supplied can be freely applied in any location.



[www.rc4wd.com](http://www.rc4wd.com)



***RC4WD***

720 N. Gateway St.  
Visalia, CA 93291

Web: [www.rc4wd.com](http://www.rc4wd.com) - Email: [support@rc4wd.com](mailto:support@rc4wd.com)